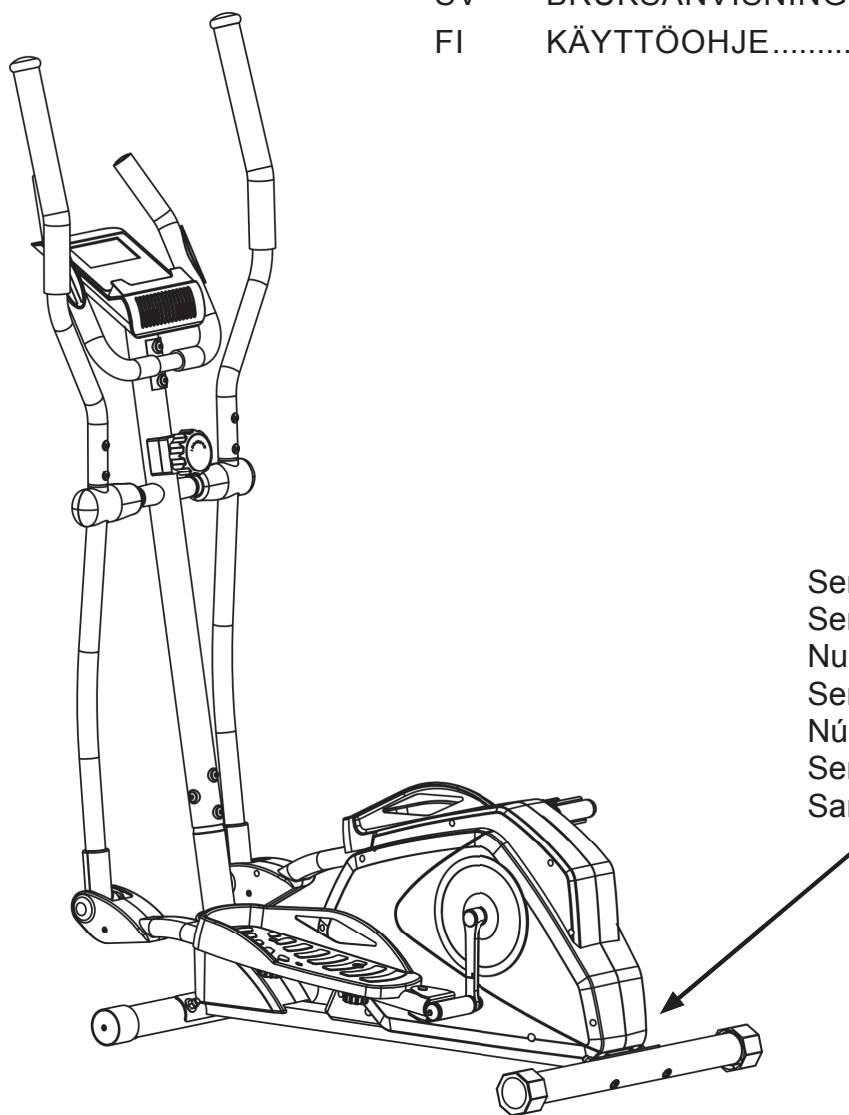


TUNTURI®

Cardio Fit Cross C30

GB	USER MANUAL.....	3 - 12
DE	BETRIEBSANLEITUNG	13 - 23
FR	MODE D'EMPLOI	24 - 35
NL	HANDLEIDING	36 - 47
ES	MANUAL DEL ASUARIO	48 - 58
SV	BRUKSANVISNING	59 - 69
FI	KÄYTTÖOHJE.....	70 - 80



Serial number
Seriennummer
Numero de serie
Serie nummer
Número de serie
Seriennummer
Sarjanumero

Contents

WELCOME	3
SAFETY WARNINGS	3
ASSEMBLY	4
Parts out of box.....	4
Hardware kit.....	4
General assembly information	5
Assembly steps.....	5
USE.....	8
Adjusting the level pads.....	8
Adjusting resistance.....	8
WORKOUTS	8
Pulse rate measurement.....	8
Maximum heart rate.....	8
USER INTERFACE.....	9
Functional button	9
Functions and operations	9
Specifications:.....	10
Adjusting resistance.....	10
EXERCISE INSTRUCTIONS.....	10
The warming up phase	10
The exercise phase	11
The cool down phase.....	11
Muscle toning.....	11
Weight loss	11
ADDITIONAL INFORMATION	11
Care and maintenance	11
LIMITED WARRANTY	12
Ordering replacement parts	12
TRANSPORT AND STORAGE	12
DISCLAIMER	12
SPECIFICATIONS	81
Parts list	82
Exploded view.....	83

Welcome

Welcome to the world of Tunturi New Fitness!

Thank you for purchasing this piece of Tunturi equipment. Tunturi offers a wide range of fitness equipment, including cross trainers, exercise bikes, and rowers. But also stationary multi-gym stations, benches, dumbbells and much more. The Tunturi equipment is suitable for the entire family, no matter what fitness level. For more information, please visit our website www.Tunturifitness.co.uk/

Safety warnings



WARNING

Read the safety warnings and the instructions. Failure to follow the safety warnings and the instructions can cause personal injury or damage to the equipment. Keep the safety warnings and the instructions for future reference.



WARNING

Heart rate monitoring systems may be inaccurate. Over exercise may result in serious injury or death. If you feel faint stop exercising immediately.

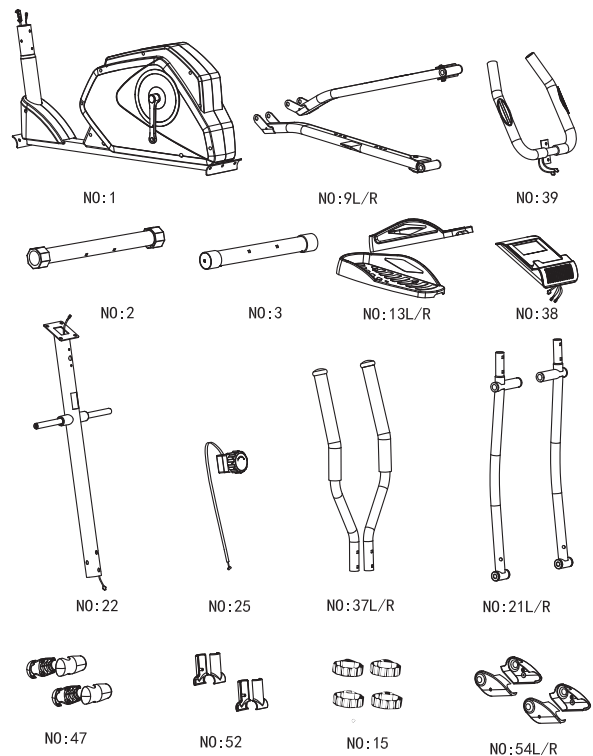
- The equipment is suitable for home use only. Max. usage is limited to 2 hrs a day. The equipment is not suitable for full commercial use (e.g. large gyms).
- The use of this equipment by children or persons with a physical, sensory, mental or motorial disability, or lack of experience and knowledge can give cause to hazards. Persons responsible for their safety must give explicit instructions or supervise the use of the equipment.
- Before starting your workout, consult a physician to check your health.
- If you experience nausea, dizziness or other abnormal symptoms, immediately stop your workout and consult a physician.
- To avoid muscular pain and strain start each workout by warming up

and finish each workout by cooling down. Remember to stretch at the end of the workout.

- The equipment is suitable for indoor use only. The equipment is not suitable for outdoor use.
- Only use the equipment in environments with adequate ventilation. Do not use the equipment in draughty environments in order not to catch a cold.
- Only use the equipment in environments with ambient temperatures between 10 °C and 35 °C. Only store the equipment in environments with ambient temperatures between 5 °C and 45 °C.
- Do not use or store the equipment in humid surroundings. The air humidity must never be more than 80%.
- Only use the equipment for its intended purpose. Do not use the equipment for other purposes than described in the manual.
- Do not use the equipment if any part is damaged or defective. If a part is damaged or defective, contact your dealer.
- Keep your hands, feet and other body parts away from the moving parts.
- Keep your hair away from the moving parts.
- Wear appropriate clothing and shoes.
- Keep clothing, jewellery and other objects away from the moving parts.
- Make sure that only one person uses the equipment at a time. The equipment must not be used by persons weighing more than 110 kg (242 lbs).
- Do not open equipment without consulting your dealer.

Assembly

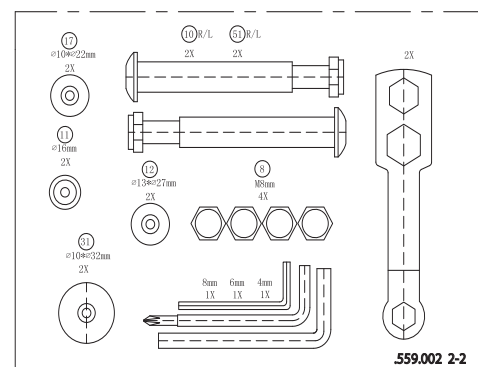
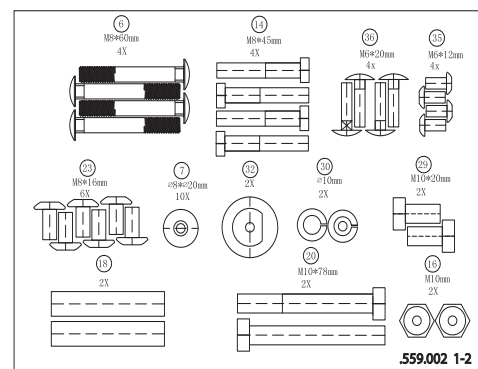
PARTS OUT OF BOX



The package contains the parts as shown in figure.

If a part is missing, contact your dealer.

HARDWARE KIT



The package contains the fasteners as shown in figure.

If a part is missing, contact your dealer

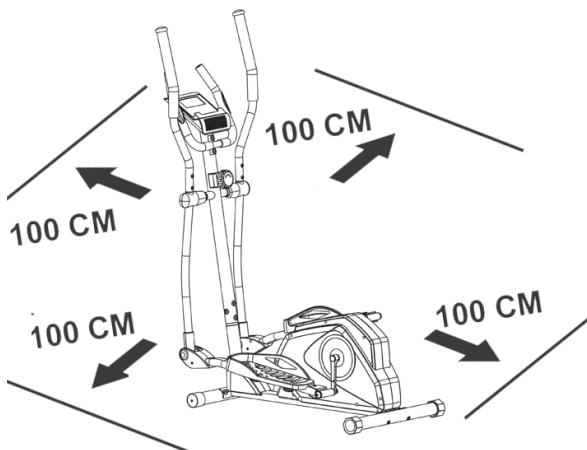
GENERAL ASSEMBLY INFORMATION

WARNING

- Assemble the equipment in the given order.
- Carry and move the equipment with at least two persons.

CAUTION

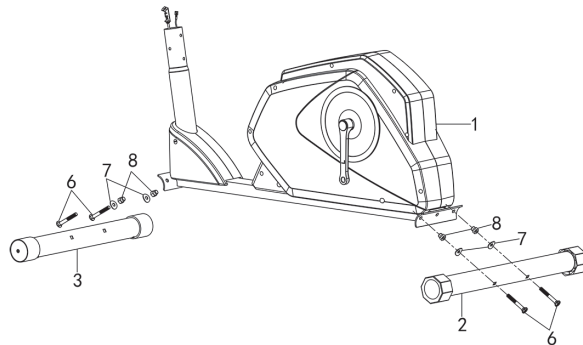
- Place the equipment on a firm, level surface.
- Place the equipment on a protective base to prevent damage to the floor surface.
- Allow at least 100 cm of clearance around the equipment.



Refer to the illustrations for the correct assembly of the equipment.

ASSEMBLY STEPS

Assembly step 1

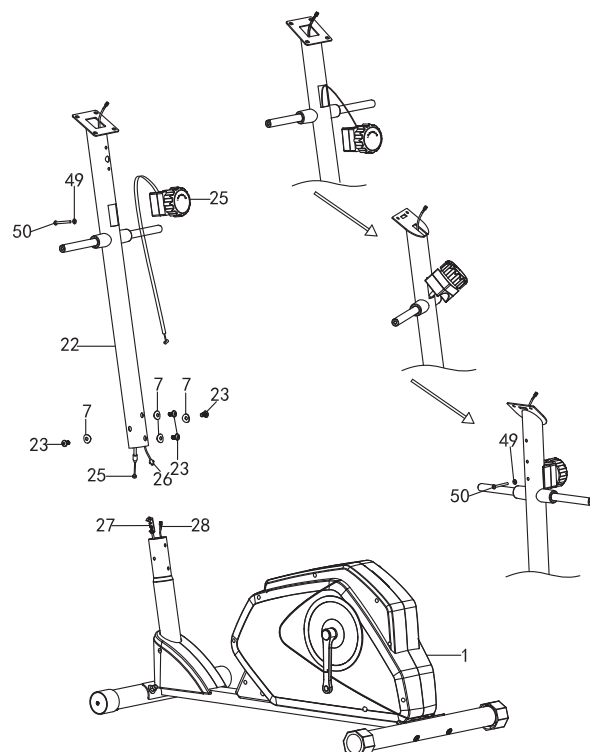


- Fit front stabilizer by using the shown hardware.
- Fit rear stabilizer by using the shown hardware.

Remark:

First put all screws/ bolts in correct place before tightening them fully.

Assembly step 2



- Fit tension control knob to front post.
- Connect the wires from upright tube and main frame and hook up the tension cable as shown in pictures

below (set tension knob to max. level to ease the cable connection) before sliding the upright tube in position.



Step 1



Step 2



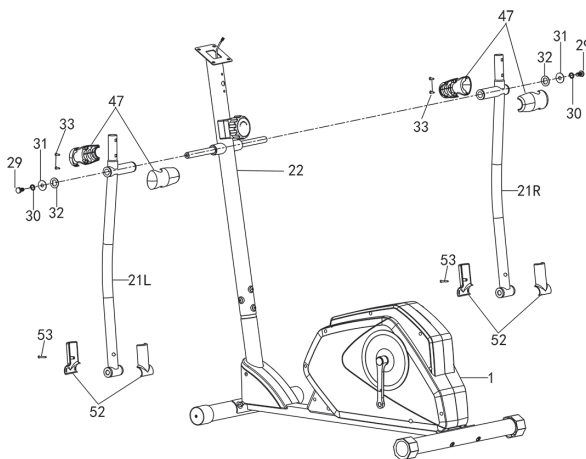
Step 3

- Use the enclosed Allen key to tighten the fastening screws, turning them clockwise.

Remark:

First put all screws/ bolts in correct place before tightening them fully.

Assembly step 3

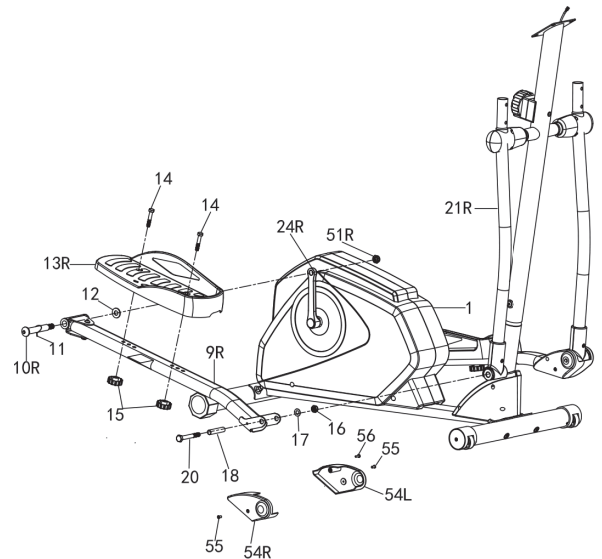
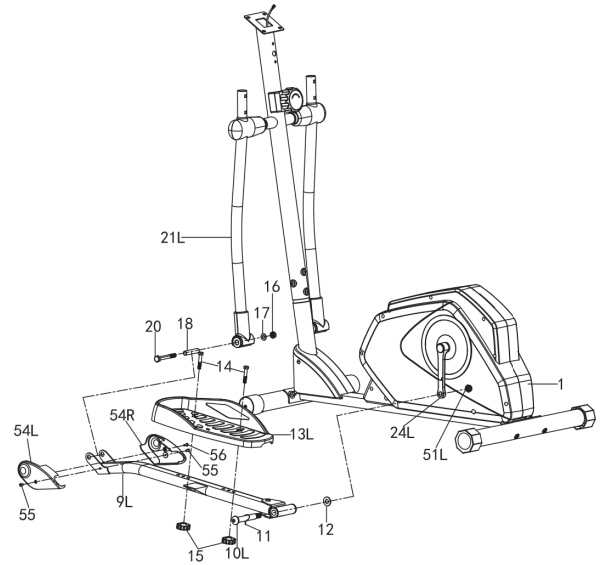


- Fit upper moving handle bars as shown in picture.

Remark:

First put all screws/ bolts in correct place before tightening them fully.

Assembly step 4



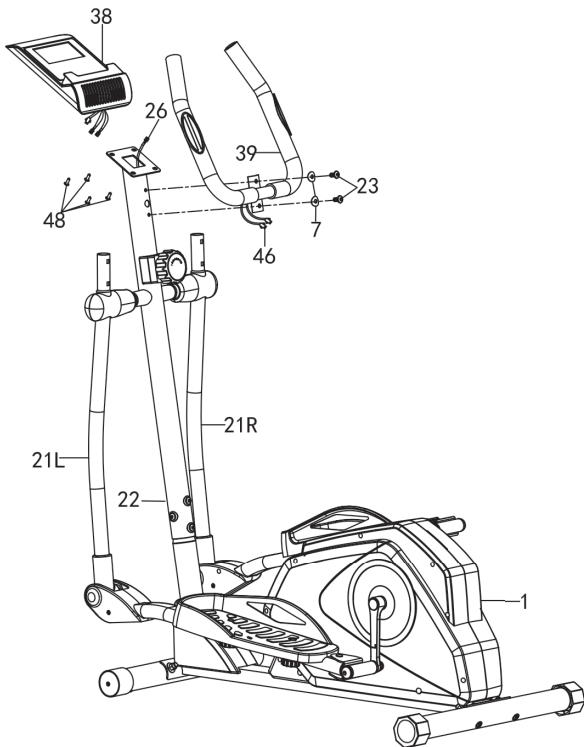
- Fix both fixed pedal tubes with the both crank arms as shown in picture.

Remark:

Pedal posts are marked with "L" and "R" label.
L = Left hand side pedal post
R = Right hand side pedal post.

Remark:

The pedal hinge bolts Left & Right are marked L & R respectively. The left hand hinge bolt uses a Left Hand Thread.

Assembly step 5

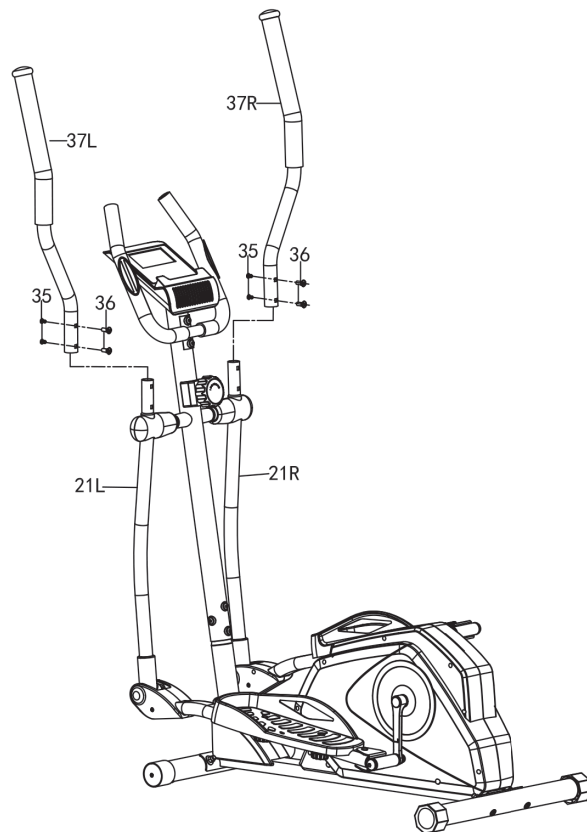
- Guide the hand pulse wires coming from the fixed handlebar through the console bracket hole.
- Fit fixed handlebar tubes as shown in picture.
- Connect the hand pulse wires and data cable with the console.
- Fix the console to the console bracket.

Remark:

Avoid the wires to damage during assembly

Remark:

- Avoid the wires to damage during assembly
- First put all screws/ bolts in correct place before tightening them fully.

Assembly step 6

- Fix upper moving handle bars as shown in picture.

Remark:

First put all screws/ bolts in correct place before tightening them fully.

Use

ADJUSTING THE LEVEL PADS

The equipment is equipped with 2 level pads on. If the equipment is not stable, the level pads can be adjusted.

1. Turn the level pads (located on rear stabilizer tube) as required to put the equipment in a stable position.

ADJUSTING RESISTANCE

To increase or decrease resistance, turn the adjustment knob at the top of the handlebar support tube clockwise (+ direction) to increase resistance and counterclockwise (- direction) to decrease resistance.

The scale above the knob (1-8) helps you find and reset a suitable resistance.

Workouts

The workout must be suitably light, but of long duration. Aerobic exercise is based on improving the body's maximum oxygen uptake, which in turn improves endurance and fitness. You should perspire, but you should not get out of breath during the workout.

To reach and maintain a basic fitness level, exercise at least three times a week, 30 minutes at a time. Increase the number of exercise sessions to improve your fitness level. It is worthwhile to combine regular exercise with a healthy diet. A person committed to dieting should exercise daily, at first 30 minutes or less at a time, gradually increasing the daily workout time to one hour. Start your workout at low speed and low resistance to prevent the cardiovascular system from being subjected to excessive strain. As the fitness level improves, speed and resistance can be increased gradually. The efficiency of your exercise can be measured by monitoring your heart rate and your pulse rate.

PULSE RATE MEASUREMENT

(hand pulse sensors)

The pulse rate is measured by sensors in the handlebars when the user is touching both sensors at the same time.



WARNING

Heart rate monitoring systems may be inaccurate. Over exercise may result in serious injury or death. If you feel faint stop exercising immediately.

Most accurate pulse measurement is achieved when the skin is slightly moist and constantly touching the hand pulse sensors. If the skin is too dry or too moist, the pulse rate measurement might become less accurate.

MAXIMUM HEART RATE

(during training)

The maximum heart rate is the highest heart rate a person can safely achieve through exercise stress. The following formula is used to calculate the average maximum heart rate: $220 - \text{AGE}$. The maximum heart rate varies from person to person.



WARNING

Make sure that you do not exceed your maximum heart rate during your workout. If you belong to a risk group, consult a physician.

Beginner: (50-60% of max. heart rate)
Suitable for beginners, weight-watchers, convalescents and persons who have not exercised for a long time. Exercise at least three times a week, 30 minutes at a time.

Advance: (60-70% or max. heart rate)
Suitable for persons who want to improve and maintain fitness. Exercise at least three times a week, 30 minutes at a time.

Expert: (70-80% or max. heart rate)
Suitable for the fittest of persons who are used to long-endurance workouts.

User interface



FUNCTIONAL BUTTON

MODE

- Press MODE button to select console functions; TIME, SPEED, DISTANCE, ODOMETER, CALORIES, PULSE.
- Push and hold for 4 seconds to reset: TIME, DISTANCE, CALORIES and PULSE.

SET

Set the values for: TIME, DISTANCE, CALORIES and PULSE, when not in scan mode.

- Press SET button to set console in goal input mode.
- Press MODE to select goal you like to set. (the selected goal will blink when able to set value.)
- Press SET Button to higher the goal input, hold SET button for 3 seconds to automatically higher the value fast. Press SET button shortly to stop Automatically higher the value.
- Press RESET button shortly to reset the changed selected goal.
- Press MODE Button to active next optional goal to be set.

1st goal to be set is: TIME

+ 1 min (1 ~ 99)

2nd goal to be set is: SPEED

cannot change (max. 99,9 KM/H)

3rd goal to be set is: DIST

+ 0,5KM (0,5KM ~ 99,50KM)

4Th goal to be set is; ODO

cannot change (max. 999,9 KM)

5th goal to be set is: CAL

+ 1 (1 ~ 999)

6th Limit to be set is: PULSE

+ 1 (40 ~ 240)

NOTE:

- When you set a goals the set goal value will count down in active mode.
- When goal is reached the console will notify by 4 dual acoustic beep signals. The reached value will now count up starting from "0".
- You can set more than one goal, all goals will notify when goal is reached.
- When you set a limit for pulse, the console will notify by a continues triple acoustic beep signal when exceed the set limit.

RESET

- Push and hold for 4 seconds to reset: TIME, DISTANCE, CALORIES and PULSE.

NOTE:

ODOMETER can only be reset by a batteries exchange.

FUNCTIONS AND OPERATIONS

SCAN

Automatically scan functions for : TIME, SPEED, DISTANCE, ODOMETER, CALORIES and PULSE.

Each display will be hold 4 seconds

TIME

Automatically accumulates workout time when exercising.

SPEED

Display current speed when exercising.

DISTANCE

Automatically accumulates the distance from exercise when exercising.

CALORIE

Automatically accumulates calories burnt when exercising.

ODOMETER

Automatically accumulates the Total distance for all exercise sessions.

PULSE RATE

Display current heart rate if measured.

Before measuring your pulse rate, please place your palms of your hands on both of your contact pads and the monitor will show your current heart beat rate in beats per minute(BPM) on the LCD after 6~7 seconds.

Remark: During the process of pulse measurement, because of the contact jamming, the measurement value may be higher than the virtual pulse rate during the first 2~3 seconds, then will return to normal level. The measurement value cannot be regarded as the basis of medical treatment.

NOTE:

- If the display is faint or shows no figures, please replace the batteries.
- The monitor will automatically shut in standby mode if there is no signal received after 4 minutes.
- The monitor will be auto-powered on when starting to exercise or at the push of a button.
- The monitor will automatically start calculating when you start to exercise and will stop calculating when you stop exercising for 4 seconds.

SPECIFICATIONS:

Function

- Auto scan Every 4 seconds
- Time 0:00 ~ 99:59
- Current speed The maximum speed to be displayed is 99,9 KM/H
- Trip Distance 0.00 ~ 99.99 KM
- Calories 0.0 ~ 999.9 K.Cal
- ODO 0.1 ~ 999.9 KM
- Pulse rate 40 ~ 240 BPM

Battery type 2pcs AA type
 Operating Temperature 0°C ~ +40°C
 Storage Temperature -10°C ~ +60°C

ADJUSTING RESISTANCE

To increase or decrease resistance, turn the adjustment knob at the top of the handlebar support tube clockwise (+ direction) to increase resistance and counterclockwise (- direction) to decrease resistance.

The scale above the knob (1-8) helps you find and reset a suitable resistance.

Exercise Instructions

Using your fitness trainer will provide you with several benefits, it will improve your physical fitness, tone muscle and in conjunction with a calorie controlled diet help you lose weight.

THE WARMING UP PHASE

This stage helps get the blood flowing around the body and the muscles working properly. It will also reduce the risk of cramp and muscle injury. It is advisable to do a few stretching exercises as shown below. Each stretch should be held for approximately 30 seconds, do not force or jerk your muscles into a stretch - if it hurts, STOP.



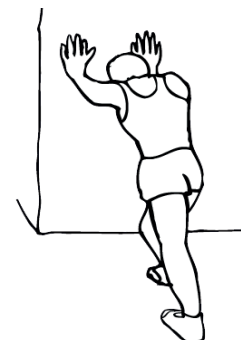
SIDE BENDS



FORWARD BENDS



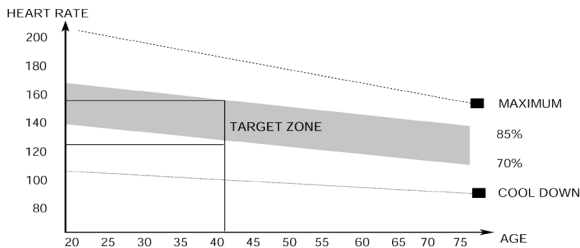
OUTER THIGH



CALF / ACHILLES

THE EXERCISE PHASE

This is the stage where you put the effort in. After regular use, the muscles in your legs will become more flexible. Work to your limit but it is very important to maintain a steady tempo throughout. The rate of work should be sufficient to raise your heart beat into the target zone shown on the graph below.



This stage should last for a minimum of 12 minutes though most people start at about 15-20 minutes

THE COOL DOWN PHASE

This stage is to let your Cardio-vascular System and muscles wind down. This is a repeat of the warm up exercise e.g. reduce your tempo, continue for approximately 5 minutes. The stretching exercises should now be repeated, again remembering not to force or jerk your muscles into the stretch.

As you get fitter you may need to train longer and harder. It is advisable to train at least three times a week, and if possible space your workouts evenly throughout the week.

MUSCLE TONING

To tone muscle while on your fitness trainer you will need to have the resistance set quite high. This will put more strain on our leg muscles and may mean you cannot train for as long as you would like. If you are also trying to improve your fitness you need to alter your training program. You should train as normal during the warm up and cool down phases, but towards the end of the exercise phase you should increase resistance making your legs work harder. You will have to reduce your speed to keep your heart rate in the target zone.

WEIGHT LOSS

The important factor here is the amount of effort you put in. The harder and longer you work the more calories you will burn. Effectively this is the same as if you were training to improve your fitness, the difference is the goal.

Additional information

PACKAGING DISPOSAL



Government guidelines ask that we reduce the amount of waste material disposed of in land fill sites. We therefore ask that you dispose of all packaging waste responsibly at public recycling centres.

END OF LIFE DISPOSAL



We at Tunturi hope you enjoy many years of enjoyable use from your fitness trainer. However, a time will come when your fitness trainer will come to the end of its useful life. Under 'European WEEE Legislation you are responsible for the appropriate disposal of your fitness trainer to a recognised public collection facility.

CARE AND MAINTENANCE

- Inspect and tighten all parts before using the fitness trainer.
- The fitness trainer can be cleaned using a damp cloth and mild nonabrasive detergent. DO NOT use solvents.
- Examine the fitness trainer regularly for signs of damage or wear.
- Failure to examine the fitness trainer regularly may affect the safety level of the equipment.
- Replace any defective components immediately and/or keep the fitness trainer out of use until repair.

Limited warranty

Tunturi warrants this product to be free from defects in workmanship and material, under normal use and service conditions, for a period of one year from the date of purchase. This warranty extends only to the original purchaser. Tunturi's obligation under this Warranty is limited to replacing damaged or faulty parts at Tunturi's option.

All returns must be pre authorised by Tunturi. This warranty does not extend to any product or damage to a product caused by or attributable to freight damage, abuse, misuse, improper or abnormal usage, purchasers own repairs or for products used for commercial or rental purposes. No other warranty beyond that specifically set forth above is authorized by Tunturi.

Tunturi is not responsible or liable for indirect, special or consequential damages arising out of or in connection with the use or performance of the product or other damages with respect to any economic loss, loss of property, loss of revenues or profits, loss of enjoyments or use, costs of removal, installation or other consequential damages or whatsoever natures.

The warranty extended hereunder is in lieu of any and all other warranties and any implied warranties of merchantability or fitness for a particular purpose is limited in its scope and duration to the terms set forth herein. Your statutory rights are not affected.

ORDERING REPLACEMENT PARTS

Defects and malfunctions Despite continuous quality control, defects and malfunctions caused by individual parts can occur in the equipment. In most cases, it will be sufficient to replace the defective part.

- If the equipment does not function properly, immediately contact the dealer.
- Provide the model number and the serial number of the equipment to the dealer.

State the nature of the problem, conditions of use and purchase date.

Transport and storage



WARNING

Carry and move the equipment with at least two persons.

- Remain standing in front of the equipment on each side and take a sturdy grip at the handlebars. Lift the front of the equipment so as to lift the rear of the equipment on the wheels. Move the equipment and carefully put the equipment down. Place the equipment on a protective base to prevent damage to the floor surface.
- Move the equipment carefully over uneven surfaces. Do not move the equipment upstairs using the wheels, but carry the equipment by the handlebars.
- Store the equipment in a dry place with as little temperature variation as possible.

Disclaimer

2016 Tunturi New Fitness B.V.
All rights reserved

The product and the manual are subject to change. Specifications can be changed without further notice

Index

WILLKOMMEN.....	13
WARNHINWEISE ZUR SICHERHEIT	3
ZUSAMMENBAU	14
Verpackungsinhalt	14
Hardware kit.....	15
Allgemeine Zusammenbau	15
Montageschritte	15
GEBRAUCH	18
Einstellen der Stützfüße.....	18
Widerstand einstellen	18
TRAININGS	18
Pulsfrequenzmessung	18
Maximale Herzfrequenz.....	18
USER INTERFACE.....	19
Funktionstaste:	19
Funktionen und bedienung	20
Technische daten:.....	20
Zusätzliche hinweise.....	21
Widerstand einstellen	21
TRAININGSANLEITUNG	21
Die aufwärmphase.....	21
Die trainingsphase	21
Die abkühlphase	21
Muskelformung	22
Gewichtsabnahme	22
ZUSÄTZLICHE INFORMATIONEN ..	22
Pflege und wartung.....	22
EINGESCHRÄNKTE GARANTIE	22
Störungen und Fehlfunktionen.....	23
TRANSPORT UND LAGERUNG	23
HAFTUNGSAUSSCHLUSS	23

Diese deutsche Bedienungsanleitung ist eine Übersetzung des englischen Textes.

Es können keine Rechte auf diese Übersetzung abgeleitet werden.

Die ursprüngliche englische Text Vorrang.

Willkommen

Willkommen in der Welt von Tunturi New Fitness! Vielen Dank, dass Sie dieses Gerät von Tunturi erworben haben.

Tunturi bietet eine breite Palette an professionellen Fitnessgeräten wie beispielsweise Crosstrainern, Laufbändern, Trainingsfahrrädern, Rudergeräten und Vibrationsplatten. Die Tunturi Geräte sind für die ganze Familie geeignet - ganz egal, wie fit man ist. Weitere Informationen finden Sie auf unserer Website unter www.tunturi.com.

Warnhinweise zur Sicherheit



WARNUNG

Lesen Sie die Warnhinweise zur Sicherheit und die Anweisungen. Werden die Warnhinweise zur Sicherheit und die Anweisungen nicht befolgt, kann dies zu Personenverletzungen und Schäden am Gerät führen. Bewahren Sie die Warnhinweise zur Sicherheit und die Anweisungen zur künftigen Bezugnahme auf.



WARNUNG

Herzfrequenzüberwachungssysteme können ungenau sein. Eine Überanstrengung kann zu schweren Schädigungen oder zum Tod führen. Wenn Sie sich schwach oder ohnmächtig fühlen, stellen Sie die Übungen unverzüglich ein.

- Das Gerät ist nur für den Heimund gewerblichen Gebrauch (z.B. Krankenhäuser, Feuerwachen, Hotels, Schulen, usw.) geeignet. Die maximale Verwendung ist auf 6 Stunden pro Tag beschränkt. Das Gerät ist nicht für den ausschließlichen gewerblichen Einsatz (z.B. große Fitnessstudios) geeignet.

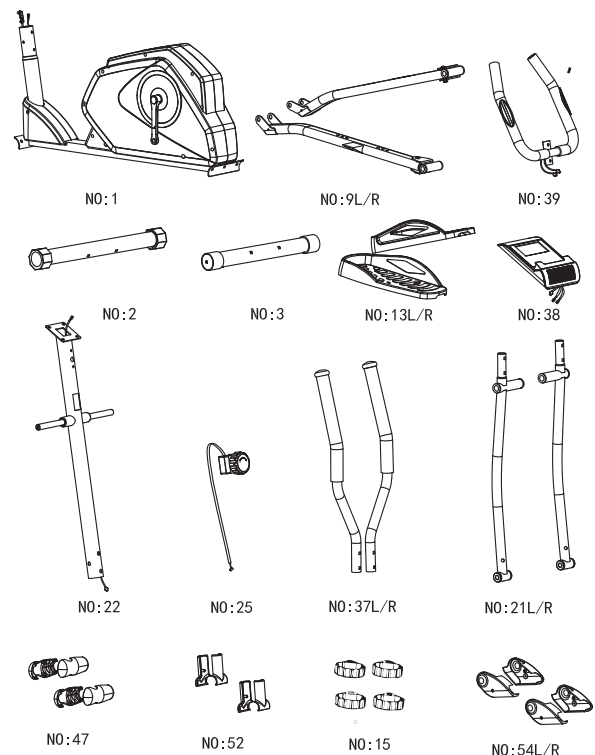
Wenn dieses Gerät von Kindern oder Personen mit körperlicher, sensorischer, geistiger oder motorischer Behinderung verwendet wird, oder wenn nicht genügend Erfahrung und Kenntnisse vorhanden sind, kann dies zu Gefahrensituationen führen. Personen, die für deren Sicherheit verantwortlich sind, müssen klare Anweisungen geben oder den Gebrauch des Geräts beaufsichtigen

- Bevor Sie Ihr Training starten, nehmen Sie Kontakt mit einem Arzt auf, um Ihre Gesundheit kontrollieren zu lassen.
- Falls Sie Übelkeit, ein Schwindelgefühl oder andere anormale Symptome verspüren, hören Sie unverzüglich mit Ihrem Training auf und wenden Sie sich an einen Arzt.
- Um einen Muskelkater zu vermeiden, starten Sie jedes Training mit Aufwärmen und beenden Sie es mit Abkühlen. Denken Sie daran, sich am Ende des Trainings zu dehnen.
- Das Gerät ist nur für den Gebrauch in geschlossenen Räumen geeignet. Das Gerät ist nicht für den Gebrauch im Freien geeignet.
- Verwenden Sie das Gerät nur in Umgebungen mit ausreichender Belüftung. Verwenden Sie das Gerät nicht in zugiger Umgebung, damit Sie sich nicht erkälten.
- Verwenden Sie das Gerät nur in Umgebungen mit Umgebungstemperaturen zwischen 10 °C und 35 °C. Lagern Sie das Gerät nur in Umgebungen mit einer Umgebungstemperatur zwischen 5 °C und 45 °C.
- Verwenden und lagern Sie das Gerät nicht in feuchten Umgebungen. Die Luftfeuchtigkeit darf niemals 80% überschreiten.
- Verwenden Sie das Gerät nur bestimmungsgemäß. Verwenden Sie das Gerät nicht für einen anderen als für den in diesem Handbuch beschriebenen Zweck.
- Verwenden Sie das Gerät nicht, falls Teile beschädigt oder defekt sind. Ist ein Teil beschädigt oder defekt, wenden Sie sich an Ihren Händler.

- Halten Sie Ihre Hände, Füße und andere Körperteile von den beweglichen Teilen fern.
- Halten Sie Ihr Haar von den beweglichen Teilen fern.
- Tragen Sie entsprechende Kleidung und Schuhe.
- Halten Sie Kleidung, Schmuck und andere Gegenstände von den beweglichen Teilen fern.
- Vergewissern Sie sich, dass das Gerät nur von einer Person auf einmal verwendet wird. Das Gerät darf nicht von Personen verwendet werden, deren Gewicht 135 kg (300 lbs) überschreitet.
- Öffnen Sie das Gerät nicht, ohne vorher mit Ihrem Händler zu sprechen.

Zusammenbau

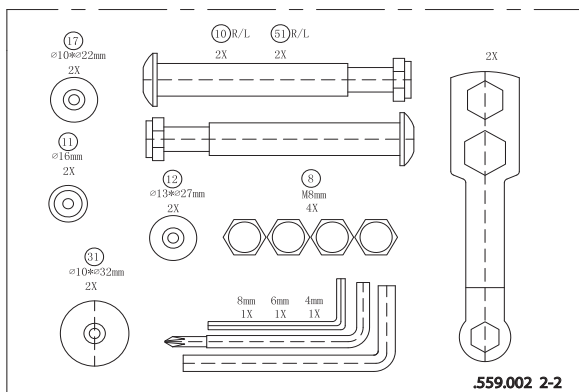
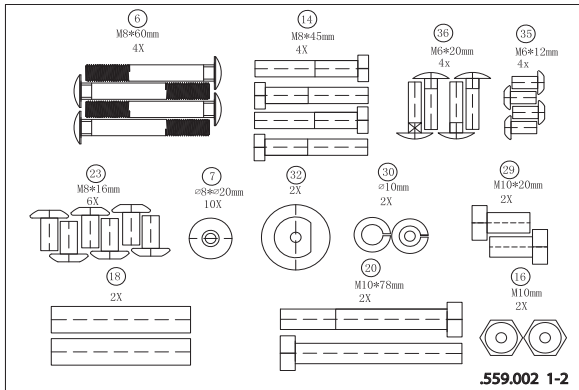
VERPACKUNGSIHALT



Die Verpackung enthält die in Bild dargestellten Teile.

Fehlt ein Teil, wenden Sie sich an Ihren Händler.

HARDWARE KIT



Die Verpackung enthält die Befestigungsteile gemäß Bild. Siehe

Abschnitt „Beschreibung“. Fehlt ein Teil, wenden Sie sich an Ihren Händler.

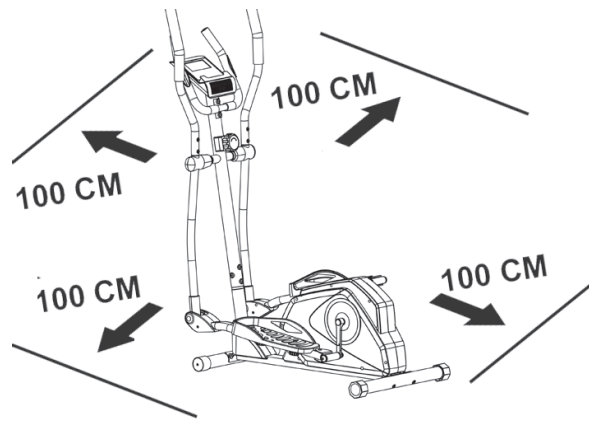
ALLGEMEINE ZUSAMMENBAU

WARNUNG

- Bauen Sie das Gerät in der angegebenen Reihenfolge zusammen.
- Tragen und bewegen Sie das Gerät mit mindestens zwei Personen.

VORISCHT

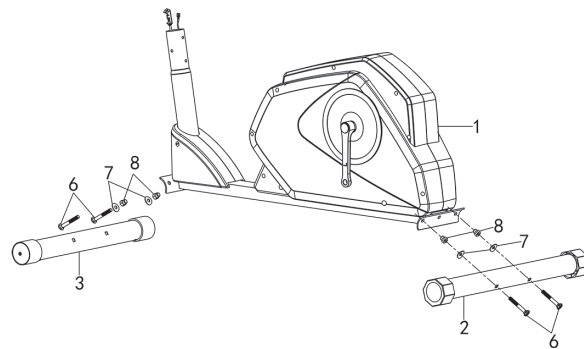
- Stellen Sie das Gerät auf festen, ebenen Boden.
- Stellen Sie das Gerät auf eine schützende Unterlage, um Schäden am Bodenbelag zu vermeiden.
- Sorgen Sie rund um das Gerät für einen Freiraum von mindestens 100cm.



Der richtige Zusammenbau des Geräts geht aus den Abbildungen hervor.

MONTAGESCHRITTE

Montageschritt 1

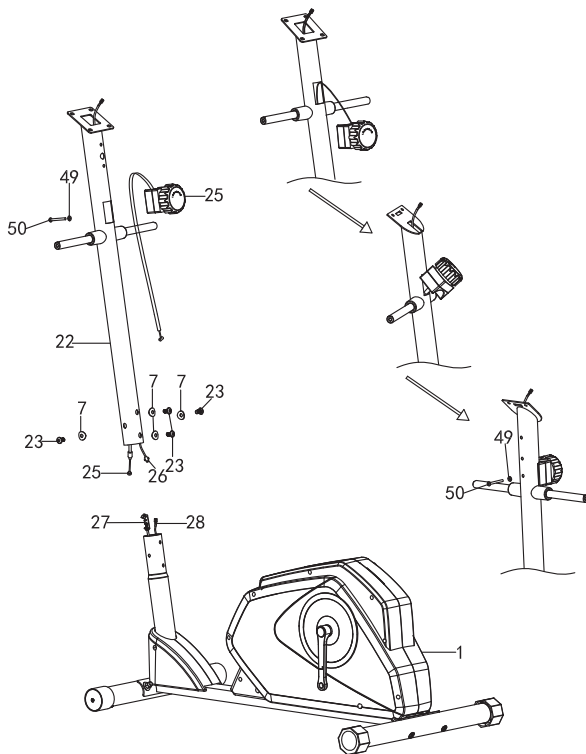


- Montiere den vordere Stabilisator mithilfe der gezeigten Hardware.
- Montiere den hinteren Stabilisator mithilfe der gezeigten Hardware.

Bemerkung:

Platziere an erster Stelle alle Schrauben/ Bolzen an der richtigen Stelle bevor diese vollständig zu befestigen

Montageschritt 2



- Bringen Sie den Spannungsregelungsknopf am vorderen Ständer an.
- Schließen Sie die Kabel vom Standrohr und Hauptrahmen an und haken Sie das Spannungsseil wie in den folgenden Abbildungen gezeigt ein (stellen Sie den Spannungsknopf auf die maximale Stufe, um das Anschließen des Kabels zu erleichtern), bevor Sie das Standrohr in Position schieben.



Schritt 1



Schritt 2



Schritt 3

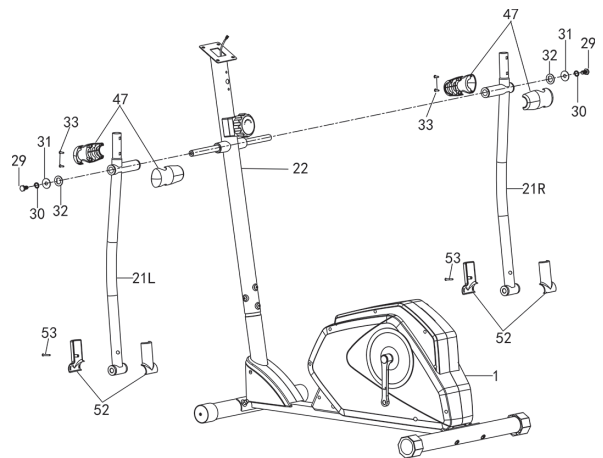
- Verwenden Sie den mitgelieferten Inbusschlüssel, um die Befestigungsschrauben durch Drehen im Uhrzeigersinn festzuziehen.

Bemerkung:

Platziere an erster Stelle alle Schrauben/

Bolzen an der richtigen Stelle bevor diese vollständig zu befestigen.

Montageschritt 3

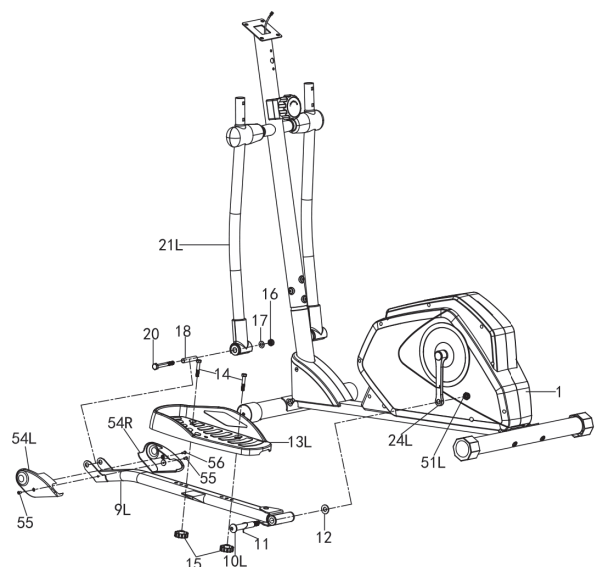


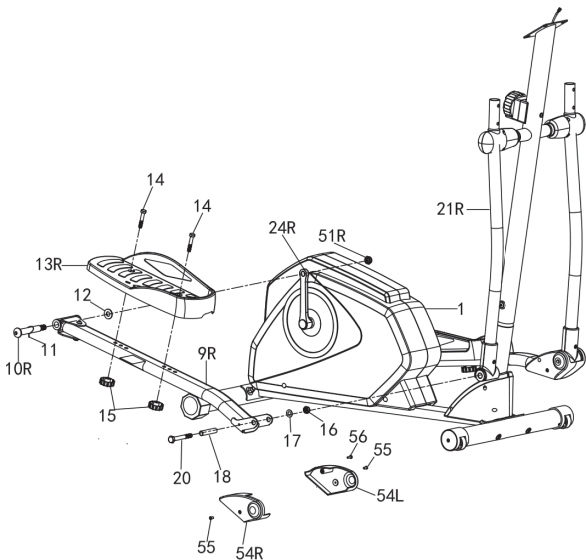
Montiere den Upper Moving handle bar wie auf der Abbildung gezeigt wird.

Bemerkung:

Platziere an erster Stelle alle Schrauben/ Bolzen an der richtigen Stelle bevor diese vollständig zu befestigen. les vis et tous les boulons en place avant de les serrer complètement.

Montageschritt 4





- Befestigen Sie beide festen Pedalrohre an den beiden Kurbelarmen wie abgebildet.

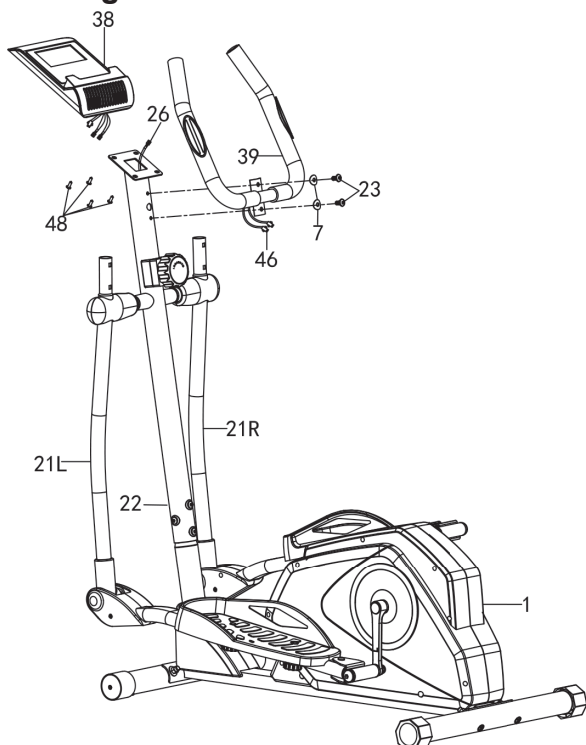
Anmerkung:

Pedalständer sind mit „L“ und „R“ gekennzeichnet.
L = Linker Pedalständer
R = Rechter Pedalständer

Anmerkung:

Die linken und rechten Pedaldrehbolzen sind mit L bzw. R gekennzeichnet. Der linke Drehbolzen hat ein Linksgewinde.

Montageschritt 5



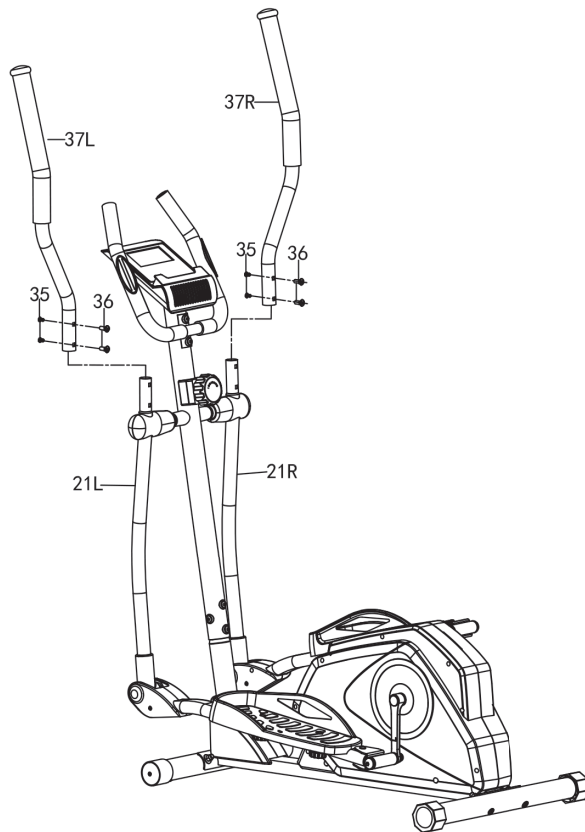
- Führen Sie die Handpuls kabel, die vom festen Handgriff kommen, durch das Loch der Konsolenhalterung.
- Bringen Sie die festen Handgriffrohre wie abgebildet an.

- Schließen Sie die Handpuls kabel und das Datenkabel an der Konsole an.
- Befestigen Sie die Konsole an der Konsolenhalterung.

Anmerkung:

- Achten Sie darauf, die Kabel bei der Montage nicht zu beschädigen.
- Bringen Sie zuerst alle Schrauben/ Bolzen am richtigen Ort an, bevor Sie sie ganz festziehen.

Montageschritt 6



- Befestigen Sie die beweglichen Handgriffe wie abgebildet.

Anmerkung:

Bringen Sie zuerst alle Schrauben/ Bolzen am richtigen Ort an, bevor Sie sie ganz festziehen.

Gebrauch

EINSTELLEN DER STÜTZFÜSSE

Das Gerät hat 4 Stützfüße. Steht das Gerät nicht stabil, kann es mit den Stützfüßen eingestellt werden.

- Drehen Sie die Stützfüße wie erforderlich, um das Gerät in eine stabile Position zu bringen.
- Ziehen Sie die Sicherungsmuttern an, um die Stützfüße zu sichern.

WIDERSTAND EINSTELLEN

Zum Erhöhen oder Verringern des Widerstands. Drehen Sie den Widerstandstaste am Lenker in der + (Uhrzeigersinn) oder – (gegen den Uhrzeigersinn) Die Verteilung (1-16) hilft mit dem Suchen der richtigen Einstellung

Trainings

Das Training muss leicht und geeignet, aber von langer Dauer sein. Aerobicübungen basieren auf der Verbesserung der maximalen Sauerstoffaufnahme des Körpers, was wiederum die Ausdauer und Fitness verbessert. Sie sollten während des Trainings zwar ins Schwitzen, aber nicht außer Atem kommen. Um eine Basisfitness zu erreichen und zu halten, üben Sie mindestens drei mal pro Woche 30 Minuten lang an einem Stück. Erhöhen Sie die Anzahl der Übungssitzungen, um Ihre Fitness zu verbessern. Es lohnt sich, die regelmäßigen Übungen mit einer gesunden Diät zu kombinieren. Personen, die Diät machen, sollten täglich zuerst 30 Minuten oder weniger an einem Stück üben und die tägliche Trainingszeit allmählich auf eine Stunde verlängern. Beginnen Sie Ihr Training mit niedriger Geschwindigkeit und geringem Widerstand, um zu vermeiden, dass das Herzkreislaufsystem einer übermäßigen Belastung ausgesetzt wird. Mit sich verbessernder Fitness können Geschwindigkeit und Widerstand allmählich erhöht werden.

Die Wirksamkeit Ihrer Übungen kann durch Überwachung der Herzfrequenz und Ihrer Pulsfrequenz gemessen werden.

PULSFREQUENZMESSUNG

(Handpulssensoren)

Die Pulsfrequenz wird durch Sensoren in den Handgriffen gemessen, wenn der Benutzer beide Sensoren gleichzeitig anfasst.



WARNUNG

Herzfrequenz-Überwachungssysteme können ungenau sein. Eine Überanstrengung kann zu schweren Schädigungen oder zum Tod führen. Wenn Sie sich schwach oder ohnmächtig fühlen, stellen Sie die Übungen unverzüglich ein. Die genaueste Pulsmessung wird erzielt, wenn die Haut etwas feucht ist und die Handpulssensoren konstant berührt werden. Ist die Haut zu trocken oder zu feucht, kann die Pulsfrequenzmessung weniger genau ausfallen..

MAXIMALE HERZFREQUENZ

(während des Trainings)

Die maximale Herzfrequenz ist die höchste Herzfrequenz, die eine Person durch Übungsbelastung sicher erzielen kann. Folgende Formel wird zur Berechnung der durchschnittlichen maximalen Herzfrequenz verwendet: $220 - \text{ALTER}$. Die maximale Herzfrequenz variiert von Person zu Person.



WARNUNG

Stellen Sie sicher, dass Sie während des Trainings Ihre maximale Herzfrequenz nicht überschreiten. Falls Sie einer Risikogruppe angehören, wenden Sie sich an einen Arzt.

Anfänger: (50-60% der maximalen Herzfrequenz)

Geeignet für Anfänger, Gewicht-

Beobachter, Genesende und Personen, die schon lange nicht mehr trainiert haben. Trainieren Sie mindestens dreimal pro Woche 30 Minuten an einem Stück.

Fortgeschritten: (60-70% der maximalen Herzfrequenz)

Geeignet für Personen, die ihre Fitness

verbessern und halten wollen.

Trainieren

Sie mindestens dreimal pro Woche 30 Minuten an einem Stück.

Experte: (70-80% der maximalen Herzfrequenz)

Geeignet für die fittesten Personen, die sich an lange Ausdauertrainings gewöhnt haben.

User interface



FUNKTIONSTASTE:

MODE

- Drücken Sie die Taste MODE, um die Konsolenfunktionen auszuwählen: TIME, SPEED, DISTANCE, ODOMETER, CALORIES, PULSE
- Halten Sie die Tasten zum Zurücksetzen 4 Sekunden lang gedrückt: TIME, DISTANCE, CALORIES und PULSE

SET

Stellen Sie die Werte ein für: TIME, DISTANCE, CALORIES und PULSE, wenn Sie sich nicht im Scan-Modus befinden.

- Drücken Sie die Taste SET, um die Konsole in den Zieleingabemodus zu versetzen.
 - Drücken Sie MODE, um das Ziel auszuwählen, das Sie einstellen möchten. (Das ausgewählte Ziel blinkt, wenn Sie den Wert einstellen können.)
 - Drücken Sie die Taste SET, um das Ziel zu erhöhen, halten Sie die Taste SET 3 Sekunden lang gedrückt, um den Wert schnell automatisch zu erhöhen. Drücken Sie die Taste SET kurz, um das automatische Erhöhen des Werts zu stoppen.
 - Drücken Sie die Taste RESET kurz, um das geänderte ausgewählte Ziel zurückzusetzen.
 - Drücken Sie die Taste MODE, um das nächste optionale Ziel, das eingestellt werden soll, zu aktivieren.
1. einzustellendes Ziel ist TIME
+ 1 Min. (1 ~ 99)
 2. einzustellendes Ziel ist SPEED
kann nicht geändert werden
(max. 99,9 KM/H)
 3. einzustellendes Ziel ist DIST
+ 0,5 km (0,5 km ~ 99,50 km)
 4. einzustellendes Ziel ist ODO
kann nicht geändert werden
(max. 999,9 km)
 5. einzustellendes Ziel ist CAL
+ 1 (1 ~ 999)
 6. einzustellendes Ziel ist PULSE
+ 1 (40 ~ 240)

BITTE BEACHTEN:

- Wenn Sie ein Ziel einstellen, wird der eingestellte Zielwert im aktiven Modus heruntergezählt.
- Wenn das Ziel erreicht ist, informiert Sie die Konsole durch 4 doppelte akustische Piepsignale. Der erreichte Wert wird dann ab „0“ heraufgezählt.
- Sie können mehr als ein Ziel einstellen und das jeweilige Ziel informiert sie, wenn es erreicht ist.
- Wenn Sie einen Grenzwert für den Puls einstellen, informiert Sie

die Konsole durch ein dreifaches akustisches Piepsignal, wenn der eingestellte Grenzwert erreicht ist.

RESET

- Halten Sie die Tasten zum Zurücksetzen 4 Sekunden lang gedrückt: TIME, DISTANCE, CALORIES und PULSE.

BITTE BEACHTEN:

- ODOMETER kann nur bei einem Batterieaustausch zurückgesetzt werden.

FUNKTIONEN UND BEDIENUNG**SCAN**

Automatisch Scannen der Funktionen für: TIME, SPEED, DISTANCE, ODOMETER, CALORIES und PULSE. Jede Anzeige erscheint 4 Sekunden lang.

TIME

Summiert automatisch die Trainingszeit.

SPEED

Zeigt die aktuelle Geschwindigkeit beim Training an.

DISTANCE

Summiert automatisch die Trainingsstrecke.

CALORIE

Summiert automatisch die während des Trainings verbrannten Kalorien.

ODOMETER

Summiert automatisch die Gesamtstrecke für alle Trainingssitzungen.

PULSE RATE

Zeigt die aktuelle Herzfrequenz, falls gemessen.

Bevor Sie Ihre Pulsfrequenz messen, legen Sie bitte Ihre Handflächen auf beide Kontaktpads.

Der Monitor zeigt nach 6 bis 7 Sekunden auf dem LCD Ihre aktuelle Herzfrequenz in Schlägen pro Minute (Beats per Minute, BPM).

Anmerkung: Während der Pulsmessung kann wegen des Blockierens der Kontakte der Messwert in den ersten 2 bis 3 Sekunden höher als die virtuelle Pulsfrequenz sein. Danach kehrt er zum normalen Niveau zurück. Der Messwert kann nicht als Grundlage für eine medizinische Behandlung herangezogen werden.

BITTE BEACHTEN:

- Wenn das Display undeutlich ist oder keine Zahlen anzeigt, tauschen Sie bitte die Batterien aus.
- Der Monitor schaltet sich automatisch in den Standby-Modus, wenn nach 4 Minuten kein Signal empfangen wird.
- Der Monitor wird automatisch gestartet, wenn das Training gestartet oder eine Taste gedrückt wird.
- Der Monitor beginnt automatisch mit dem Berechnen, wenn Sie mit dem Training beginnen, und er hört mit dem Berechnen 4 Sekunden nach Beenden des Trainings auf.

TECHNISCHE DATEN:**Funktion**

Autom.	Scan alle 4 Sek.
Zeit	0:00 ~ 99:59
Aktuelle Geschwindigkeit	
Die maximale angezeigte Geschwindigkeit ist	99,9 km/h
Fahrstrecke	0,00 ~ 99,99 km
Kalorien	0,0 ~ 999,9 kcal
ODO	0,1 ~ 999,9 km
Pulsfrequenz	40 ~ 240 BPM

Batterietyp	2 Stck. Typ AA
Betriebstemperatur	0 °C ~ +40 °C
Lagertemperatur	-10 °C ~ +60 °C

ZUSÄTZLICHE HINWEISE

- Wenn das Display undeutlich ist oder keine Zahlen anzeigt, tauschen Sie bitte die Batterien aus.
- Der Monitor schaltet sich automatisch aus, wenn nach 4 Minuten kein Signal empfangen wird.
- Der Monitor wird automatisch gestartet, wenn die Taste zum Starten des Trainings gedrückt wird.
- Der Monitor beginnt automatisch mit dem Berechnen, wenn Sie mit dem Training beginnen, und er hört mit dem Berechnen 4 Sekunden nach Beenden des Trainings auf.

WIDERSTAND EINSTELLEN

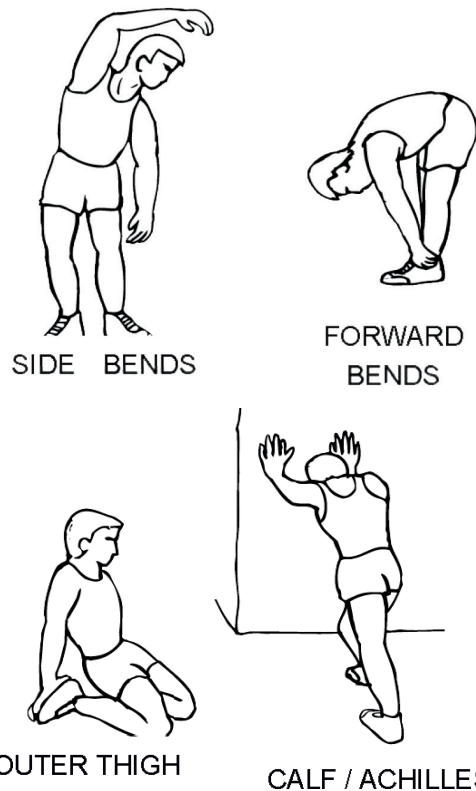
Zum erhöhen oder verringern des Widerstands. Drehen Sie den Widerstandstaste am Lenker in der + (Uhrzeigersinn) oder – (gegen den Uhrzeigersinn) Die Verteilung (1-16) hilft mit dem Suchen der richtigen Einstellung.

Trainingsanleitung

Die Verwendung des Fitnessstrainers wird Ihnen viele Vorteile bieten: Er verbessert Ihre körperliche Fitness, formt die Muskeln und hilft Ihnen, in Verbindung mit einer kalorienreduzierten Diät, Gewicht zu verlieren.

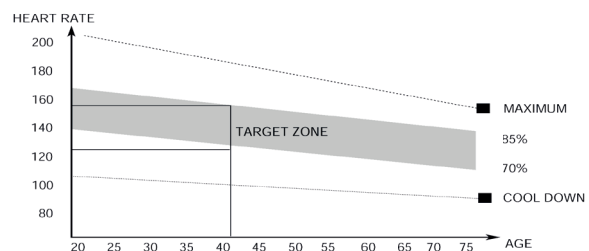
DIE AUFWÄRMPHASE

Der Blutkreislauf wird angeregt und die Muskelfunktionen werden unterstützt. Außerdem wird das Risiko von Krämpfen und Muskelverletzungen gesenkt. Sie sollten, wie unten angezeigt, einige Dehnungsübungen machen. Sie sollten weder die Dehnungsbewegung erzwingen noch die Muskeln dabei ruckweise bewegen - wenn Sie Schmerzen haben, sollten Sie AUFHÖREN.



DIE TRAININGSPHASE

In dieser Phase strengen Sie sich an. Nach regelmäßiger Verwendung werden die Muskeln in Ihren Beinen beweglicher. In dieser Phase ist es sehr wichtig, immer ein gleichmäßiges Tempo beizubehalten. Die Anstrengung sollte ausreichen, um Ihren Herzschlag bis in die Zielzone zu erhöhen, die im folgenden Diagramm dargestellt ist.



Diese Phase sollte mindestens 12 Minuten dauern; die meisten Menschen beginnen mit ca. 15 bis 20 Minuten.

DIE ABKÜHLPHASE

Sie dient der Entspannung Ihres Herz-Kreislaufsystems und Ihrer Muskeln. Dabei werden die Aufwärmübungen wiederholt, reduzieren Sie zum Beispiel Ihr Tempo und machen Sie

ca. 5 Minuten weiter. Jetzt sollten die Dehnübungen wiederholt werden. Denken Sie wiederum daran, weder die Dehnungsbewegung zu erzwingen noch die Muskeln dabei ruckweise zu bewegen.

Wenn Sie fitter werden, kann es sein, dass Sie länger und härter trainieren müssen. Sie sollten mindestens drei Mal die Woche trainieren und, falls möglich, Ihre Trainingseinheiten gleichmäßig über die Woche verteilen.


MUSKELFORMUNG

Um Ihre Muskeln beim Training auf dem Fitnesstrainer zu formen, müssen Sie den Widerstand ziemlich hoch einstellen. Dadurch werden die Beinmuskeln mehr angestrengt und Sie können möglicherweise nicht so lange trainieren, wie Sie möchten. Wenn Sie außerdem Ihre Fitness verbessern möchten, müssen Sie Ihr Trainingsprogramm ändern. Sie sollten in den Aufwärm- und Abkühlphasen normal trainieren, jedoch gegen Ende der Trainingsphase den Widerstand erhöhen, damit Ihre Beine härter arbeiten müssen. Sie müssen die Geschwindigkeit verringern, damit Ihre Herzfrequenz in der Zielzone bleibt.

GEWICHTSABNAHME

Der wichtige Faktor ist, wie sehr Sie sich anstrengen. Je härter und je länger Sie trainieren, desto mehr Kalorien verbrennen Sie. Dies ist im Grunde dasselbe, wie wenn zur Verbesserung Ihrer Fitness trainieren, nur das Ziel ist ein anderes.

Zusätzliche Informationen

VERPACKUNGSENTSORGUNG 
Staatliche Vorschriften sagen, dass wir die in Deponien entsorgen Abfallmengen verringern sollen. Daher bitten wir Sie, den gesamten Verpackungsabfall an öffentlichen Recyclingstellen abzugeben



ENTSORGUNG AM ENDE DER LEBENSDAUER

Wir bei Tunturi hoffen, dass Sie Ihren Fitnesstrainer viele Jahre mit Freude nutzen werden. Jedoch wird irgendwann die Zeit kommen, wenn die Ende der Nutzungsdauer des Fitnesstrainers erreicht ist. Gemäß den europäischen WEEE-Gesetzen sind Sie für eine geeignete Entsorgung des Fitnesstrainers bei einer anerkannten öffentlichen Entsorgungsstelle verantwortlich.

PFLEGE UND WARTUNG

Überprüfen Sie vor Verwendung des Fitnesstrainers alle Teile und ziehen Sie sie fest.
Der Fitnesstrainer kann mit einem feuchten Tuch und einem milden, nicht scheuernden Reinigungsmittel gereinigt werden. Verwenden Sie KEINE Lösungsmittel.
Überprüfen Sie den Fitnesstrainer regelmäßig auf Anzeichen von Schäden oder Verschleiß.
Fehlende Überprüfung kann die Sicherheit des Fitnesstrainers beeinträchtigen.
Tauschen Sie defekte Teile umgehend aus und/oder verwenden Sie den Fitnesstrainer nicht, bis er repariert ist.

Eingeschränkte Garantie

Tunturi garantiert, dass dieses Produkt bei normalen Gebrauchs- und Wartungsbedingungen für einen Zeitraum von einem Jahr ab Kaufdatum frei von Material- und Fertigungsfehlern sind. Diese Garantie gilt nur für den ursprünglichen Käufer. Die Verpflichtung von Tunturi unter dieser Garantie ist auf den Austausch beschädigter oder defekter Teil nach Wahl von Tunturi beschränkt.

Alle Rücksendungen müssen vorher von Tunturi genehmigt werden. Diese Garantie gilt nicht für Schäden an einem Produkt, die durch den Transport, missbräuchliche Verwendung, Missbrauch, falsche oder abnormale Verwendung oder Eigenreparaturen des Käufers verursacht wurden oder diesen zuzuschreiben sind oder für Produkte, die für gewerbliche oder Mitzwecke verwendet werden. Tunturi gibt keine weiteren Garantien außer den oben beschriebenen.

Tunturi übernimmt keine Verantwortung oder Haftung für indirekte, besondere oder Folgeschäden, die sich aus und in Verbindung mit der Verwendung oder Leistung des Produkts ergeben, oder für andere Schäden in Bezug auf wirtschaftliche Verluste, Eigentumsverlust, entgangene Umsätze oder Gewinne, entgangenen Genuss oder entgangene Nutzung, Kosten der Beseitigung, Installation oder andere Folgeschäden jeglicher Art.

Die hierunter angegebene Garantie ersetzt alle anderen Garantien. Alle stillschweigenden Garantien der Marktgängigkeit oder Eignung für einen bestimmten Zweck sind in Umfang und Dauer auf die hierin angegebene Laufzeit beschränkt. Ihre gesetzlichen Rechte werdendavon nicht beeinflusst.

STÖRUNGEN UND FEHLFUNKTIONEN

Trotz ständiger Qualitätskontrolle können durch Einzelteile verursachte Störungen und Fehlfunktionen am Gerät auftreten. In den meisten Fällen ist es ausreichend, das defekte Teil zu erneuern.

- Falls das Gerät nicht ordnungsgemäß funktioniert, wenden Sie sich unverzüglich an den Händler.
- Nennen Sie dem Händler Modell und Seriennummer des Geräts.

Schildern Sie die Art des Problems, die Gebrauchsbedingungen und das Kaufdatum.

Transport und Lagerung



WARNING

Tragen und bewegen Sie das Gerät mit mindestens zwei Personen. Bleiben Sie vor dem Gerät auf beiden Seiten und halten Sie die Handgriffe sicher fest. Heben Sie die Vorderseite des Geräts an, damit die Hinterseite auf die Räder gehoben wird. Bewegen Sie das Gerät und setzen Sie es vorsichtig ab. Stellen Sie das Gerät auf eine schützende Unterlage, um Schäden am Bodenbelag zu vermeiden. Bewegen Sie das Gerät vorsichtig über unebene Böden. Bewegen Sie das Gerät nicht auf den Rädern Treppen herauf, sondern tragen Sie es an den Handgriffen. Lagern Sie das Gerät an einem trockenen Ort mit möglichst wenig Temperaturschwankungen.

Haftungsausschluss

2016 Tunturi New Fitness BV
Alle Rechte vorbehalten.

Produkt und Handbuch können geändert werden. Die technischen Daten können ohne Vorankündigung geändert werden.

Index

BIENVENUE.....	24
AVERTISSEMENTS DE SÉCURITÉ	24
ASSEMBLAGE.....	25
parties sur la boîte	25
Kit de matériel.....	26
Assemblage	26
Étapes d'assemblage	26
USAGE	29
Reglage des coussinets de mise a niveau	29
Régler la résistance	29
EXERCICES.....	29
Mesure du pouls	29
Fréquence cardiaque maximum	30
INTERFACE DE L'UTILISATEUR.....	30
Bouton de fonction.....	30
Fonctions et operations	31
Specifications	32
Remarques supplémentaires.....	32
Régler la résistance	32
INSTRUCTIONS D'ENTRAÎNEMENT	33
Phase d'échauffement	33
Phase d'exercice	33
Phase de refroidissement.....	33
Tonification musculaire	34
Perte de poids.....	34
INFORMATIONS	
SUPPLÉMENTAIRES.....	34
Entretien et maintenance.....	34
GARANTIE LIMITÉE	34
Commander des pièces de rechange	35
TRANSPORT ET RANGEMENT	35
DISCLAIMER	35

Ce manuel français est une traduction de la version anglaise. Notez que la version anglaise est en tête dans le contenu lorsque des différences sont trouvées.

Bienvenue

Bienvenue dans l'univers de Tunturi New Fitness ! Merci pour votre achat de cet élément d'équipement Tunturi. Tunturi offre toute une gamme d'équipements de fitness professionnels, notamment des vélos elliptiques, tapis de course, vélo d'appartement, rameurs et plateformes vibrantes. Les équipements Tunturi sont parfaits pour toute la famille, quel que soit le niveau de forme de ses membres. Pour en savoir plus, visitez notre site Web www.tunturi.com

Avertissements de sécurité



AVERTISSEMENT

Lisez les avertissements de sécurité et les instructions. Le non-respect des avertissements de sécurité et des instructions est une source de blessure et de dégâts de l'équipement. Conservez les avertissements de sécurité et les instructions pour référence ultérieure.



AVERTISSEMENT

Les systèmes de suivi de la fréquence cardiaque peuvent être inexacts. Un exercice excessif peut entraîner des blessures graves voire mortelles. Si vous vous sentez défaillir, interrompez immédiatement l'exercice.

- L'équipement est adapté à un usage domestique et professionnel uniquement (par ex. hôpitaux, caserne de pompiers, hôtels, écoles, etc.). La durée d'utilisation maximum est limitée à 6 heures par jour. L'équipement n'est pas adapté à un usage commercial complet (par ex. grands centres de gym). L'emploi de cet équipement par des enfants ou des personnes affectés d'un handicap physique, sensoriel, mental ou moteur, voire dont l'expérience ou les

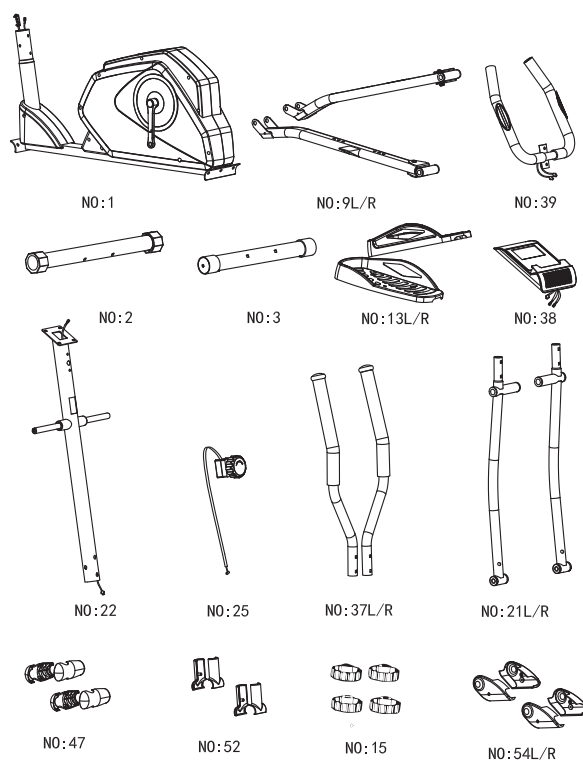
connaissances'avèrent insuffisantes est une source de risques. Les personnes chargées de leur sécurité doivent leur fournir des instructions explicites ou superviser leur usage de l'équipement.

- Avant de commencer vos exercices, effectuez un bilan de santé auprès d'un médecin.
- Si vous êtes pris de nausées ou de vertiges ou sentez d'autres symptômes anormaux pendant l'entraînement, interrompez immédiatement la session et consultez votre médecin.
- Afin d'éviter toutes douleurs et tensions musculaires, commencez vos séances par des échauffements et terminez-les par une récupération. N'oubliez pas de vous étirer après vos exercices.
- L'équipement est uniquement adapté à un usage intérieur. L'équipement ne convient pas à un usage extérieur.
- Utilisez l'équipement uniquement dans des environnements correctement ventilés. N'utilisez pas l'équipement dans des endroits exposés aux courants d'air afin de ne pas vous enrhumers.
- Utilisez l'équipement uniquement à une température ambiante entre 10 °C et 35 °C. Rangez l'équipement uniquement à une température ambiante entre 5 °C et 45 °C.
- N'utilisez et ne rangez pas l'équipement dans un environnement humide. L'humidité de l'air ne doit jamais dépasser 80 %.
- Utilisez l'équipement uniquement pour son usage prévu. N'utilisez pas l'équipement pour d'autres usages que ceux décrits dans le manuel.
- N'utilisez pas l'équipement si l'une de ses pièces est endommagée ou défectueuse. Si une pièce est endommagée ou défectueuse, contactez votre revendeur.
- Maintenez vos mains, vos pieds et les autres parties de votre corps à l'écart des pièces mobiles.
- Maintenez votre chevelure à l'écart des pièces mobiles.

- Portez des vêtements et des chaussures adaptés. Maintenez les vêtements, bijoux et autres objets à l'écart des pièces mobiles.
 - Assurez-vous qu'une seule personne utilise l'équipement à la fois. L'équipement ne doit pas être utilisé par des personnes pesant plus de 110 kg (242 lb).
 - N'ouvrez pas l'équipement sans consulter votre revendeur.
- Assemblage

Assemblage

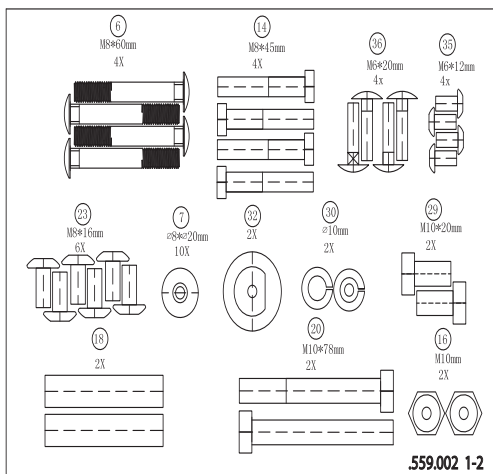
PARTIES SUR LA BOÎTE



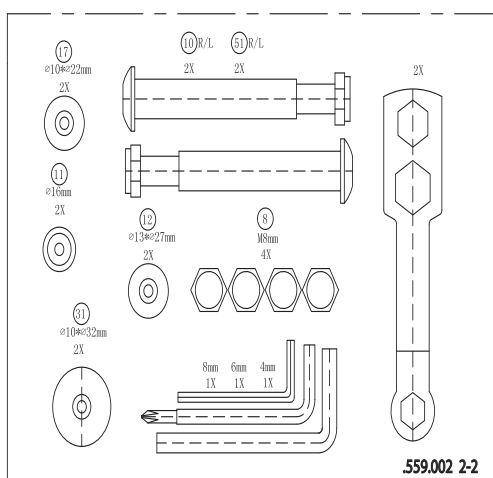
L'emballage contient les pièces illustrées en figure.

Si une pièce manque, contactez votre revendeur.

KIT DE MATÉRIEL



.559.002 1-2



.559.002 2-2

L'emballage contient les pièces illustrées en figure.

Si une pièce manque, contactez votre revendeur.

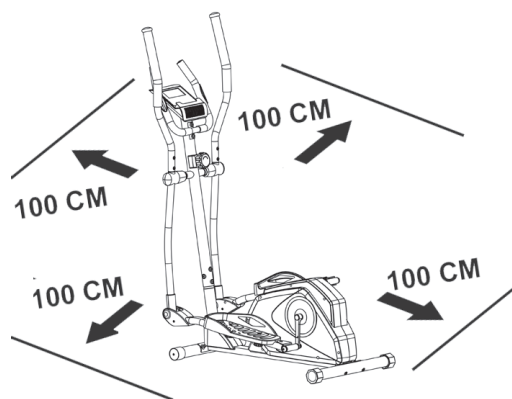
ASSEMBLAGE

AVERTISSEMENT

- Assemblez l'équipement dans l'ordre indiqué.
- Deux personnes au moins sont nécessaires pour transporter et déplacer l'équipement.

PRÉCAUTION

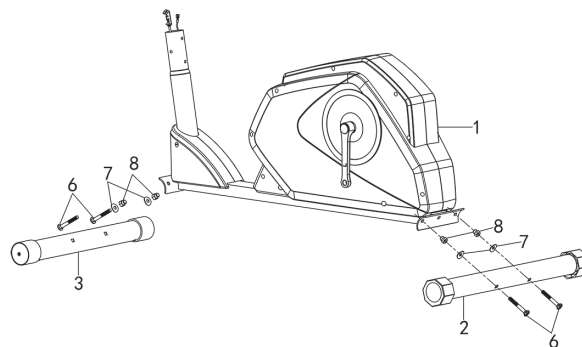
- Placez l'équipement sur une surface plane et ferme.
- Placez l'équipement sur une base protectrice pour éviter d'endommager la surface du sol.
- Prévoyez un dégagement d'au moins 100 cm autour de l'équipement.



Consultez les illustrations pour l'assemblage correct de l'équipement.

ÉTAPES D'ASSEMBLAGE

Assemblage - Étape 1

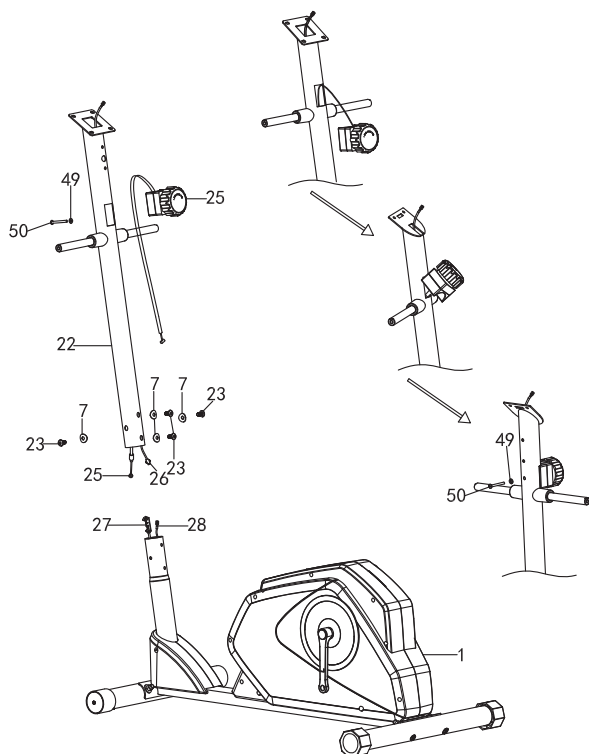


- Installez les coussinets de réglage de la hauteur sur le stabilisateur avant.
- Utiliser le matériel indiqué pour installer le stabilisateur avant.

Remarque :

Ne pas oublier de mettre d'abord toutes les vis et tous les boulons en place avant de les serrer complètement.

Assemblage - Étape 2



- Installer le bouton de commande de la tension sur la jambe avant.
- Raccorder les câbles depuis le tube vertical et le châssis principal et accrocher le câble de tension comme indiqué sur les images ci-dessous (mettre le bouton de tension sur le niveau maximum pour faciliter le raccordement du câble) avant de glisser le tube vertical en position.



Étape 1



Étape 2



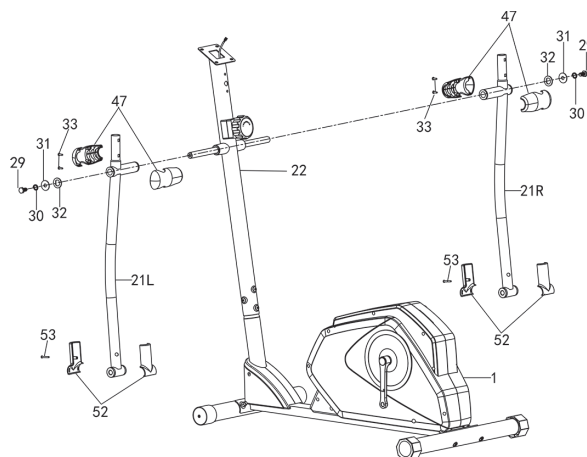
Étape 3

- Utiliser la clé Allen fournie pour serrer les vis de fixation en les vissant dans le sens des aiguilles d'une montre.

Remarque :

Ne pas oublier de mettre d'abord toutes les vis et tous les boulons en place avant de les serrer complètement.

Assemblage - Étape 3

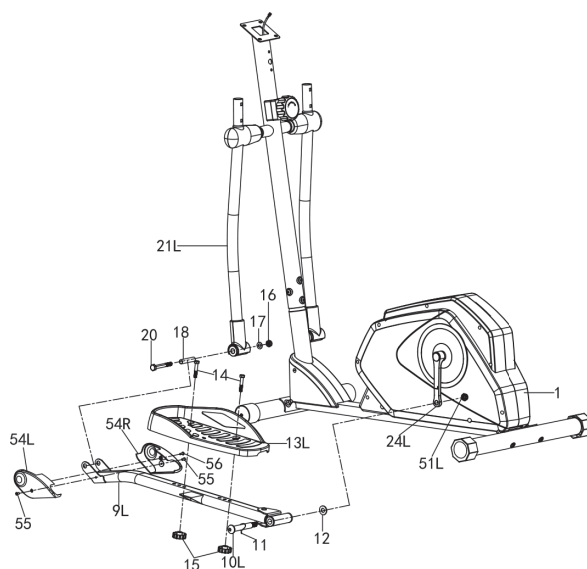


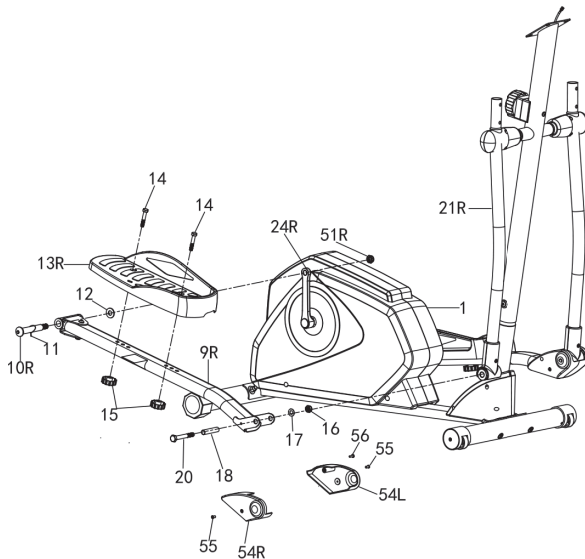
Fixer les barres des poignées mobiles supérieures comme indiqué sur l'image.

Remarque :

Ne pas oublier de mettre d'abord toutes les vis et tous les boulons en place avant de les serrer complètement.

Assemblage - Étape 4





- Fixer les deux tubes des pédales avec les deux bras de manivelle comme indiqué sur l'image.

Remarque :

Sur l'extrémité des pédales sont inscrites les lettres

« L » ou « R ».

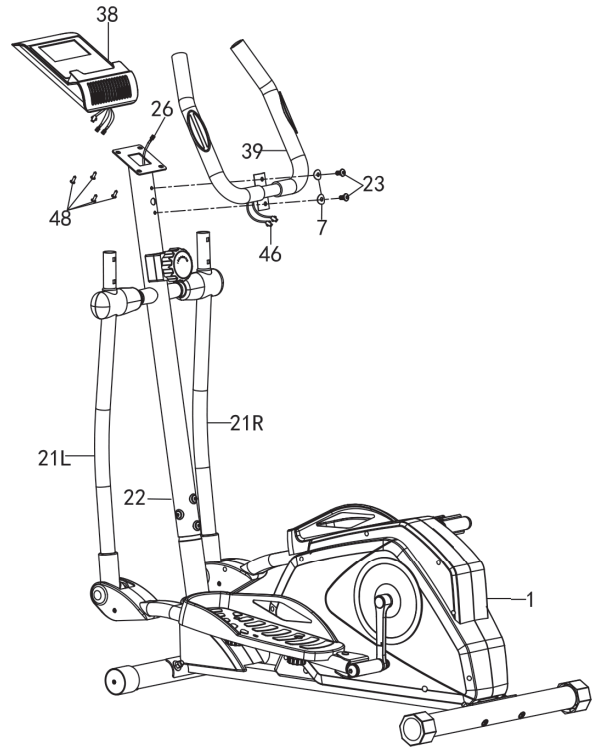
L = pédale de gauche

R = pédale de droite

Remarque :

Les boulons des charnières des pédales gauche et droite sont identifiées par les lettres L et R respectivement. Le boulon de la charnière de gauche comporte un filetage gauche.

Assemblage - Étape 5

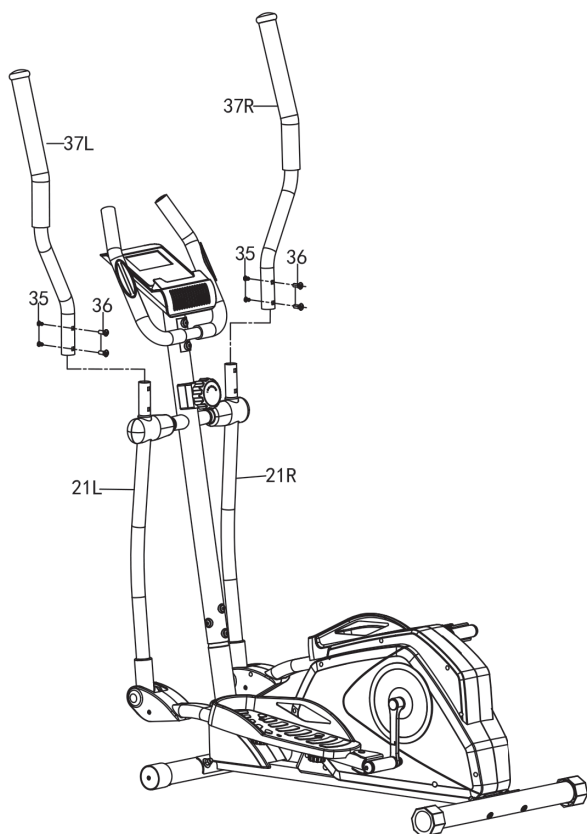


- Faire passer les câbles de la poignée cardiofréquencemètre venant du guidon fixe à travers l'orifice du support de la console.
- Installer les tubes du guidon fixe comme indiqué sur l'image.
- Brancher les câbles de la poignée cardiofréquencemètre et le câble de données sur la console.
- Fixer la console sur le support de la console.

Remarque :

- Éviter d'endommager les câbles pendant le montage.
- Ne pas oublier de mettre d'abord toutes les vis et tous les boulons en place avant de les serrer complètement.

Assemblage - Étape 6



- Fixer les barres des poignées mobiles supérieures comme indiqué sur l'image.

Remarque :

Ne pas oublier de mettre d'abord toutes les vis et tous les boulons en place avant de les serrer complètement.

Usage

REGLAGE DES COUSSINETS DE MISE A NIVEAU

L'appareil est équipé de 2 coussinets de mise à niveau. Si l'appareil n'est pas stable, les coussinets permettent de le mettre à niveau.

- Tournez les coussinets de mise à niveau (situés sous le tube du stabilisateur arrière) autant que nécessaire jusqu'à ce que l'appareil soit bien stable.

RÉGLER LA RÉSISTANCE

Pour augmenter ou diminuer la résistance, tournez le bouton de réglage situé sur le tube de support du guidon dans le sens des aiguilles d'une montre (vers le +) pour augmenter la résistance et dans le sens inverse des aiguilles d'une montre (vers le -) pour réduire la résistance. L'échelle au-dessus du bouton (1-8) vous aide à trouver et à redéfinir une résistance aptée.

Exercices

Un exercice doit être suffisamment léger mais prolongé. L'exercice aérobique repose sur l'amélioration de l'absorption maximum d'oxygène par le corps, améliorant à son tour l'endurance et la forme. Vous devez transpirer mais sans jamais être à bout de souffle durant l'exercice. Pour atteindre et entretenir un niveau de forme basique, exercez-vous au moins 3 fois par semaine, par session de 30 minutes. Accroissez le nombre des sessions d'exercice pour améliorer votre niveau de forme. Il est profitable de combiner un exercice régulier et un régime sain. Une personne suivant un régime doit s'exercer au quotidien, au début 30 minutes ou moins pour chaque session afin d'accroître ensuite progressivement le temps d'exercice quotidien pour atteindre une heure. Commencez vos exercices à une vitesse lente et avec une faible résistance pour éviter de soumettre le système cardiovasculaire à une contrainte excessive. À mesure de l'amélioration de votre forme, accroissez progressivement la vitesse et la résistance. L'efficacité de votre exercice est mesurable en suivant votre fréquence cardiaque et votre pouls.

MESURE DU POULS

(pulsomètres)

Le pouls est mesuré par des capteurs dans les poignées lorsque l'utilisateur touche les deux capteurs à la fois.

**AVERTISSEMENT**

Les systèmes de suivi de la fréquence cardiaque peuvent être inexacts. Un exercice excessif peut entraîner des blessures graves voire mortelles. Si vous vous sentez défaillir, interrompez immédiatement l'exercice.

La mesure la plus précise du pouls nécessite une peau légèrement humide et un contact constant des pulsomètres. Si la peau est trop sèche ou humide, la mesure du pouls peut devenir moins précise.

FRÉQUENCE CARDIAQUE MAXIMUM

(durant l'exercice)

La fréquence cardiaque maximum est la fréquence la plus élevée qu'une personne peut atteindre en toute sécurité sous la contrainte de l'exercice. La formule suivante sert à calculer la fréquence cardiaque maximum moyenne: $220 - \text{ÂGE}$ La fréquence cardiaque maximum varie d'une personne à l'autre.

**AVERTISSEMENT**

Assurez-vous de ne pas dépasser votre fréquence cardiaque maximum durant l'exercice. Si vous appartenez à un groupe à risque, consultez un médecin.

Débutant: (50-60% de fréquence cardiaque maximum)
Adapté aux débutants, aux personnes suivant leur poids, aux convalescents et aux personnes ne s'exerçant pas depuis un certain temps. Exercez-vous au moins trois fois par semaine, par session de 30 minutes.

Avancé: (60-70% de fréquence cardiaque maximum)
Adapté aux personnes souhaitant améliorer et entretenir leur forme. Exercez-vous au moins trois fois par semaine, par session de 30 minutes.

Expert: (70-80% de fréquence cardiaque maximum)
Adapté aux personnes les plus en forme, habituées aux exercices d'endurance prolongés.

Interface de l'utilisateur



BOUTON DE FONCTION

MODE

- Enfoncez le bouton MODE pour sélectionner les fonctions de la console : TIME, SPEED, DISTANCE, ODOMETER, CALORIES, PULSE (durée, vitesse, distance, odomètre, calories, pulsations).
- Maintenez la touche enfoncée pendant 4 secondes pour réinitialiser : TIME, DISTANCE, CALORIES et PULSE.

SET

Réglez les valeurs de : TIME, DISTANCE, CALORIES et PULSE lorsque vous n'êtes pas en mode balayage.

- Appuyez sur le bouton SET pour régler la console en mode de saisie d'objectif.

- Appuyez sur le bouton MODE pour sélectionnez l'objectif que vous souhaitez paramétrer. (l'objectif sélectionné va clignoter lorsque vous pouvez paramétrer la valeur).
- Appuyez sur le bouton SET pour augmenter la saisie d'objectif, maintenez le bouton SET pendant 3 secondes pour indexer automatiquement la valeur. Appuyez brièvement sur le bouton SET pour arrêter d'indexer automatiquement la valeur.
- Appuyez brièvement sur le bouton RESET pour remettre à zéro l'objectif sélectionné modifié.
- Appuyez sur le bouton MODE pour activer le prochain objectif optionnel à définir.

Le 1e objectif à paramétrer est
TIME + 1 min (1 ~ 99)

Le 2e objectif à paramétrer est
SPEED impossible de changer
(max. 99,9 KM/H)

Le 3e objectif à paramétrer est
DIST + 0,5KM
(0,5 KM ~ 99,50KM)

Le 4e objectif à paramétrer est
ODO impossible de changer
(max. 999,9 KM)

Le 5e objectif à paramétrer est
TIME + 1 (1 ~ 999)

La 6e limite à paramétrer est
PULSE + 1 (40 ~ 240)

NOTE :

Lorsque vous paramétrez un objectif, la valeur de l'objectif sera décomptée en mode actif.

Une fois l'objectif atteint, la console va vous l'indiquer par 4 signaux acoustiques. La valeur atteinte va à présent augmenter à partir de "0".

Vous pouvez paramétrer plus d'un objectif, tous les objectifs seront signalés lorsqu'ils sont atteints.

Lorsque vous paramétrez une limite pour les pulsations, la console va vous l'indiquer par un triple signal sonore continu quand cette limite paramétrée est dépassée.

RESET

- Maintenez la touche enfoncée pendant 4 secondes pour réinitialiser : TIME, DISTANCE, CALORIES et PULSE.

NOTE :

- ODOMETER peut être réinitialisé uniquement lors d'un changement de piles.

FONCTIONS ET OPERATIONS

SCAN

Recherche automatiquement les fonctions pour : TIME, SPEED, DISTANCE, ODOMETER, CALORIES et PULSE.

Chaque écran sera affiché 4 secondes.

TIME

Additionne automatiquement la durée de l'entraînement.

SPEED

Affiche la vitesse courante lors de l'entraînement

DISTANCE

Additionne automatiquement la distance parcourue pendant l'entraînement.

CALORIE

Additionne automatiquement les calories brûlées pendant l'entraînement.

ODOMETER

Additionne automatiquement la distance totale parcourue lors des différentes séances d'entraînement.

PULSE RATE

Affiche le rythme cardiaque actuel s'il est mesuré.

Avant de mesurer votre pouls, positionnez la paume de vos mains sur les deux coussinets de contact. L'écran affichera votre rythme cardiaque actuel en battements par minute (BPM) au bout de 6 à 7 secondes.

Remarque : Pendant le processus de mesure du pouls, en raison du brouillage des contacts, la valeur mesurée peut être plus élevée que le pouls virtuel pendant les 2-3 premières secondes, puis revenir à un niveau normal. La valeur mesurée ne peut être prise comme base d'un traitement médical.

NOTE:

- Si l'affichage est faible ou ne présente aucun chiffre, remplacez les piles.
- L'écran passera automatiquement en mode veille si l'ordinateur ne reçoit aucun signal au bout de 4 minutes.
- L'écran s'allumera automatiquement lorsque l'utilisateur commencera à s'entraîner ou s'il appuie sur un bouton.
- L'écran commence à calculer automatiquement lorsque vous commencez à vous entraîner et s'arrête de calculer lorsque vous arrêtez pendant 4 secondes.

SPECIFICATIONS

Fonction

- Balayage auto Toutes les 4 secondes
- Durée 0:00 ~ 99:59
- Vitesse actuelle
La vitesse maximum qui peut être affichée est de 99,9 KM/H
- Distance journalière 0.00 ~ 99.99 KM
- Calories 0.0 ~ 999.9 K.Cal
- ODO 0.1 ~ 999.9 KM
- Rythme cardiaque 40 ~ 240 BPM

Type de piles 2 piles modèle AA
Température de service 0°C ~ +40°C
Température de stockage -10°C ~ +60°C

REMARQUES SUPPLEMENTAIRES

- Si l'affichage est faible ou ne présente aucun chiffre, remplacez les piles.
- L'écran s'éteindra automatiquement si l'ordinateur ne reçoit aucun signal au bout de 4 minutes.
- L'écran s'allumera automatiquement lorsque l'utilisateur commencera à s'entraîner ou s'il appuie sur n'importe quel bouton.
- L'écran commence à calculer automatiquement lorsque vous commencez à vous entraîner et s'arrête de calculer lorsque vous arrêtez pendant 4 secondes.

RÉGLER LA RÉSISTANCE

Pour augmenter ou diminuer la résistance, tournez le bouton de réglage situé sur le tube de support du guidon dans le sens des aiguilles d'une montre (vers le +) pour augmenter la résistance et dans le sens inverse des aiguilles d'une montre (vers le -) pour réduire la résistance. L'échelle au-dessus du bouton (1-8) vous aide à trouver et à redéfinir une résistance aptée.

Instructions d'entraînement

L'utilisation de votre appareil de fitness vous procurera plusieurs avantages : il vous permettra d'améliorer votre forme physique, de tonifier vos muscles et, associé à un régime hypocalorique, de perdre du poids.

PHASE D'ÉCHAUFFEMENT

Cette étape favorise la circulation du sang dans tout le corps et le bon fonctionnement des muscles. Elle réduit également le risque de crampes et de lésions musculaires. Il est conseillé de faire quelques exercices d'étirement, comme ceux qui sont indiqués ci-dessous. Chaque étirement doit être maintenu pendant environ 30 secondes. Ne forcez pas ou n'étirez pas excessivement un muscle. Si vous sentez qu'une position vous fait mal, ARRÊTEZ.



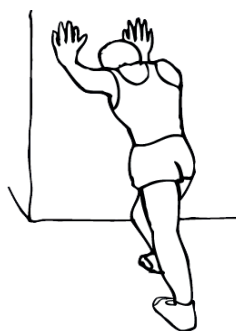
SIDE BENDS



FORWARD BENDS



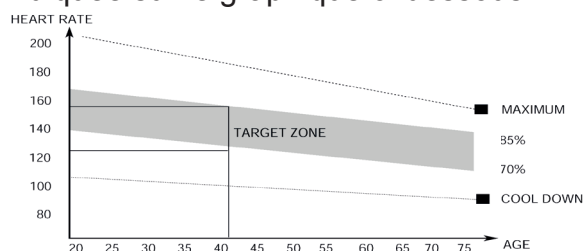
OUTER THIGH



CALF / ACHILLES

PHASE D'EXERCICE

C'est l'étape principale de votre entraînement. Après une utilisation régulière de l'appareil, vous sentirez que les muscles de vos jambes ont gagné en souplesse. Il est très important de maintenir un rythme régulier tout au long de la séance. Le rythme de travail doit être suffisant pour faire monter votre rythme cardiaque dans la zone cible indiquée sur le graphique ci-dessous.



Cette étape doit durer au moins 12 minutes, bien que l'on commence généralement à environ 15-20 minutes.

PHASE DE REFROIDISSEMENT

Cette étape a pour objectif de laisser votre système cardiovasculaire et vos muscles reprendre leur rythme normal. Il s'agit d'une répétition de l'exercice d'échauffement. Baissez le rythme et continuez pendant environ 5 minutes. Vous devez ensuite refaire les exercices d'étirement et souvenez-vous de ne pas forcer ou trop étirer un muscle dans une certaine position.

À mesure que vous améliorerez votre forme, vous ressentirez peut-être le besoin de vous entraîner plus longtemps ou de faire des entraînements plus poussés. Il est conseillé de s'entraîner au moins trois fois par semaine et, si possible, d'espacer les séances régulièrement tout au long de la semaine.

TONIFICATION MUSCULAIRE

Pour tonifier vos muscles à l'aide de l'appareil de fitness, vous devrez sélectionner une résistance assez élevée. Les muscles de vos jambes seront davantage sollicités et vous ne pourrez peut-être pas vous entraîner aussi longtemps que vous le voudriez. Si vous souhaitez également améliorer votre forme, vous devrez modifier votre programme d'entraînement. Entraînez-vous normalement pendant les phases d'échauffement et de refroidissement, mais vers la fin de l'exercice, augmentez la résistance en faisant travailler vos jambes davantage. Vous devrez réduire la vitesse pour maintenir votre rythme cardiaque dans la zone cible.

PERTE DE POIDS

Ici, le facteur important est l'effort que vous déployez. Plus vous vous entraînez longtemps et de manière soutenue, plus vous brûlerez de calories. C'est en réalité le même principe que pour l'entraînement d'amélioration de la forme ; la différence est l'objectif recherché.

Informations supplémentaires

ÉLIMINATION DES EMBALLAGES



Les réglementations gouvernementales nous demandent de réduire la quantité de matériaux déposés dans les décharges. C'est pour cela que nous faisons appel à votre responsabilité et vous demandons de déposer les emballages dans des centres de recyclage publics.



ÉLIMINATION DU PRODUIT

Chez Tunturi, nous espérons que vous profiterez longtemps de votre appareil de fitness. Cependant, nous savons bien qu'un jour ou l'autre votre machine arrivera au terme de sa vie utile. Selon la directive européenne sur les DEEE, vous êtes responsable de vous séparer correctement de votre appareil de fitness en le déposant dans un site public agréé de récupération des déchets.

ENTRETIEN ET MAINTENANCE

- Contrôlez et resserrez tous les éléments avant d'utiliser l'appareil de fitness.
- L'appareil de fitness se nettoie à l'aide d'un chiffon humide et de produit détergent doux et non-abrasif. N'UTILISEZ PAS de solvants.
- Examinez l'appareil de fitness régulièrement pour détecter tout dommage ou signe d'usure.
- Le fait de négliger l'examen régulier de l'appareil de fitness peut compromettre le niveau de sécurité de celui-ci.
- Remplacez les éléments défectueux sans délai et/ou n'utilisez pas l'appareil de fitness jusqu'à ce qu'il ait été réparé.

Garantie limitée

Tunturi garantit que ce produit est exempt de défauts dans sa qualité et ses matériaux, dans le cas d'une utilisation et de conditions de service normales, pour une période d'un an à compter de la date d'achat. Cette garantie ne s'applique qu'à l'acheteur d'origine. L'obligation de Tunturi aux termes de cette garantie se limite au remplacement des pièces endommagées ou défectueuses à la discrétion de Tunturi. Tout retour doit être autorisé au préalable par Tunturi.

Cette garantie ne s'applique pas aux produits ou aux dommages à un produit causés par ou attribuables à des dégâts lors du transport, un abus, une mauvaise utilisation ou une utilisation anormale, ni aux réparations effectuées par l'acheteur ou encore aux produits utilisés à des fins commerciales ou de location. Aucune autre garantie que celle précisée ci-dessus n'est autorisée par Tunturi. Tunturi n'assume aucune responsabilité pour les dommages indirects, spéciaux ou consécutifs survenant du fait de ou en relation avec l'utilisation ou la performance du produit ou pour tout autre dommage relatif à une perte économique, une perte de propriété, un manque-à-gagner, une perte des bénéfices ou une utilisation réduite, des coûts de démontage, d'installation ou autre dommage consécutif de quelque nature que ce soit.

La garantie étendue ci-après s'applique en lieu et place des autres garanties et toutes les autres garanties de qualité marchande et de compatibilité à des fins particulières sont limitées dans leur champ d'application et leur durée aux termes définis dans le présent document. Vos droits légaux ne sont pas affectés.

COMMANDER DES PIÈCES DE RECHANGE

Défauts et dysfonctionnements Malgré un contrôle continu de la qualité, des défauts ou des dysfonctionnements peuvent être occasionnés par des composants individuels. La plupart du temps, il vous suffit de remplacer la pièce défectueuse.

- Si l'équipement ne fonctionne pas correctement, contactez immédiatement le revendeur.
- Fournissez le numéro de modèle et le numéro de série de l'équipement au revendeur.

Mentionnez la nature du problème, les conditions d'usage et la date d'achat.

Transport et rangement



AVERTISSEMENT

Deux personnes au moins sont nécessaires pour transporter et déplacer l'équipement.

En vous tenant devant l'équipement de chaque côté, saisissez fermement ses guidons. Levez l'avant de l'équipement pour que l'arrière repose sur les roues. Déplacez l'équipement et reposez-le prudemment. Placez l'équipement sur une base protectrice pour éviter d'endommager la surface du sol. Déplacez prudemment l'équipement sur les surfaces irrégulières. Ne déplacez pas l'équipement sur ses roues pour monter des escaliers mais transportez-le par les guidons.

Rangez l'équipement dans un endroit sec exposé à des variations de température minimales.

Disclaimer

© 2016 Tunturi New Fitness BV.
Tous les droits réservés.

Le produit et le manuel sont sujets à modifications. Les spécifications peuvent changer sans préavis.

Index

WELKOM.....	36
VEILIGHEIDS WAARSCHUWINGEN	36
ASSEMBLAGE.....	37
Inhoud van de verpakking.....	37
Hardware kit.....	38
assemblage	38
Assemblage stappen	38
GEBRUIK	41
De stelpoten.....	41
Weerstand aanpassen.....	41
TRAININGEN	41
Hartslagmeting.....	42
Maximale hartslag.....	42
CONSOLE	42
Functieknop	42
Functions and operations	43
Specificaties.....	44
Aanvullende opmerkingen	44
Weerstand aanpassen.....	44
INSTRUCTIES	44
De warming up.....	44
De trainingsfase.....	45
De cooling down	45
Spierversteviging	45
Gewichtverlies	45
AANVULLENDE INFORMATIE.....	45
Controle en onderhoud.....	46
BEPERKTE GARANTIE.....	46
Bestellen van onderdelen	46
TRANSPORT EN OPSLAG.....	47
DISCLAIMER	47

Deze Nederlandse handleiding is een vertaling van de Engelse tekst. Aan deze vertaling kunnen geen rechten ontleend worden. De originele Engelse tekst blijft leidend.

Welkom

Welkom in de wereld van Tunturi New Fitness! Hartelijk dank voor uw aankoop van dit Tunturi-toestel. Tunturi biedt een grote verscheidenheid aan professionele toestellen zoals crosstrainers, fietstrainers, en roeimachines. Maar ook multi-gym stations, fitnessbanken, dumbbells en meer. Het Tunturi-toestel is geschikt voor de hele familie, onafhankelijk van de conditie. Meer informatie vindt u op de website www.tunturi.com

Veiligheids waarschuwingen



WAARSCHUWING

Lees de veiligheidswaarschuwingen en de instructies. Het niet opvolgen van de veiligheidswaarschuwingen en de instructies kan persoonlijk letsel of beschadiging van het toestel veroorzaken. Bewaar de veiligheidswaarschuwingen en instructies voor toekomstig gebruik.



WAARSCHUWING

Hartslagbewakingssystemen kunnen onnauwkeurig zijn. Overmatig trainen kan leiden tot ernstig letsel of de dood. Als u zich duizelig voelt, stop dan onmiddellijk met trainen.

- Het toestel is uitsluitend geschikt voor huishoudelijk gebruik. Het maximum gebruik is beperkt tot 2 uur per dag. Het toestel is niet geschikt voor volledig commercieel gebruik (bijv. grote sportscholen).
- Het gebruik van dit toestel door kinderen of personen met fysieke, sensorische, geestelijke of motorische handicaps, of met gebrek aan ervaring en kennis kan gevaar veroorzaken. De personen die verantwoordelijk zijn voor hun

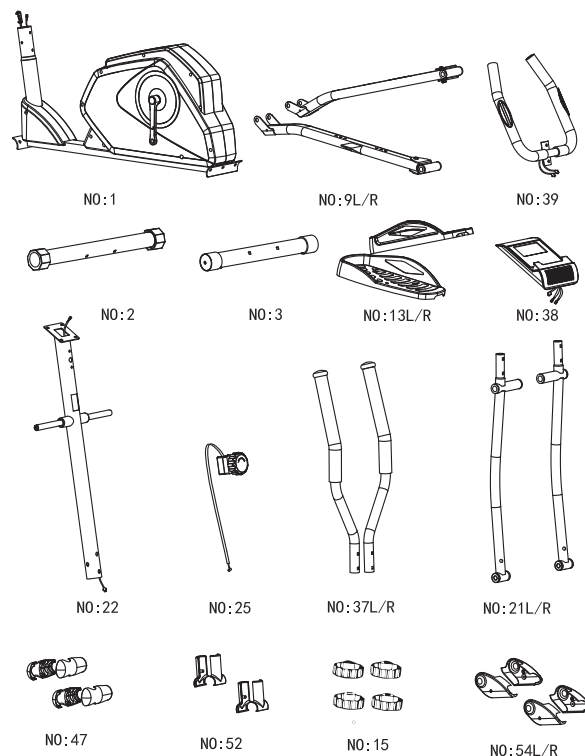
veiligheid moeten uitdrukkelijke instructies geven of toezicht houden op het gebruik van het toestel.

- Laat uw gezondheid door een arts controleren voordat u met uw training begint.
- Als u misselijkheid, duizeligheid of andere abnormale symptomen ervaart, stop dan onmiddellijk met uw training en raadpleeg een arts.
- Om spierpijn en te zware belasting te voorkomen, moet u elke training beginnen met een warming-up en eindigen met een cooling-down. Vergeet niet om uw spieren te strekken aan het einde van de training.
- Het toestel is uitsluitend geschikt voor gebruik binnenshuis. Het toestel is niet geschikt voor gebruik buitenshuis.
- Gebruik het toestel alleen in een omgeving met voldoende ventilatie. Gebruik het toestel niet in een tochtige omgeving om geen kou te vatten.
- Gebruik het toestel alleen in een omgeving met een omgevings-temperatuur tussen 10 °C en 35 °C.
- Berg het toestel alleen op bij een omgevingstemperatuur tussen 5 °C en 45 °C.
- Gebruik het toestel niet in een vochtige omgeving. Berg het toestel niet op in een vochtige omgeving. De luchtvochtigheid mag nooit meer zijn dan 80%.
- Gebruik het toestel alleen voor het doel waarvoor het gemaakt is. Gebruik het toestel niet voor andere doelstellingen dan beschreven in de handleiding.
- Gebruik het toestel niet als een onderdeel is beschadigd of niet goed werkt. Raadpleeg uw dealer als een onderdeel is beschadigd of niet goed werkt.
- Houd uw handen, voeten en andere lichaamsdelen uit de buurt van de bewegende delen.
- Houd uw haar uit de buurt van de bewegende delen.
- Draag geschikte kleding en schoenen.
- Houd kleding, sieraden en andere voorwerpen uit de buurt van de bewegende delen.

- Zorg ervoor dat het toestel slechts door één persoon tegelijk wordt gebruikt. Het toestel mag niet worden gebruikt door personen die meer dan 110 kg (242 lbs) wegen.
- Maak het toestel niet open zonder eerst uw dealer te raadplegen.

Assemblage

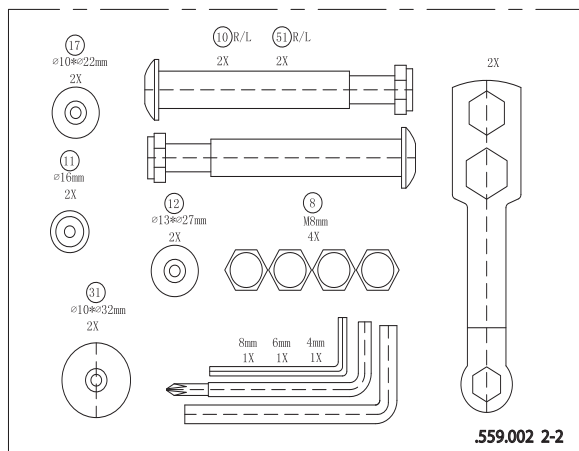
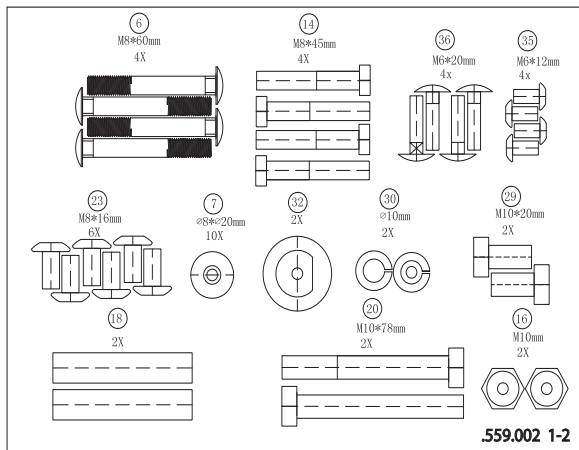
INHOUD VAN DE VERPAKKING



De verpakking bevat de onderdelen zoals weergegeven in afbeelding.

Raadpleeg uw dealer als een onderdeel ontbreekt.

HARDWARE KIT



De verpakking bevat de onderdelen zoals weergegeven in afbeelding.

Raadpleeg uw dealer als een onderdeel ontbreekt.

ASSEMBLAGE

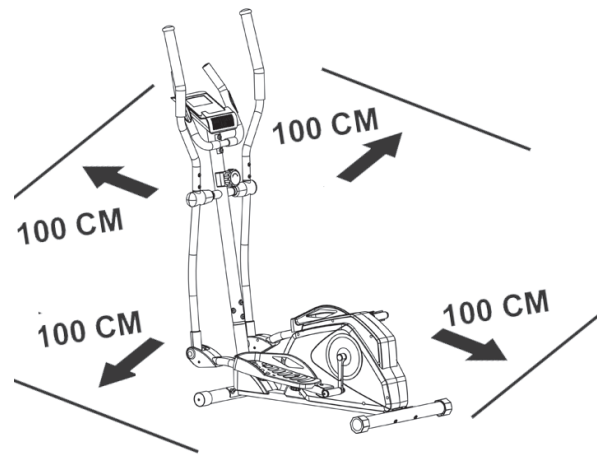


WAARSCHUWING

- Monteer het apparaat in de aangegeven volgorde.
- Draag en verplaats het toestel met minstens twee personen.

VOORZICHTIG

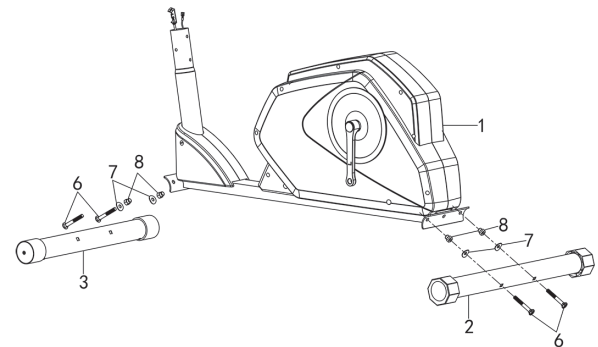
- Zet het toestel op een stevige, vlakke ondergrond.
- Zorg voor een beschermende laag onder het toestel om schade aan het vloeroppervlak te voorkomen.
- Houd rondom de apparatuur ten minste een bewegingsruimte van 100 cm.



Raadpleeg de illustraties voor de juiste assemblage van het toestel.

ASSEMBLAGE STAPPEN

Assemblage stap 1

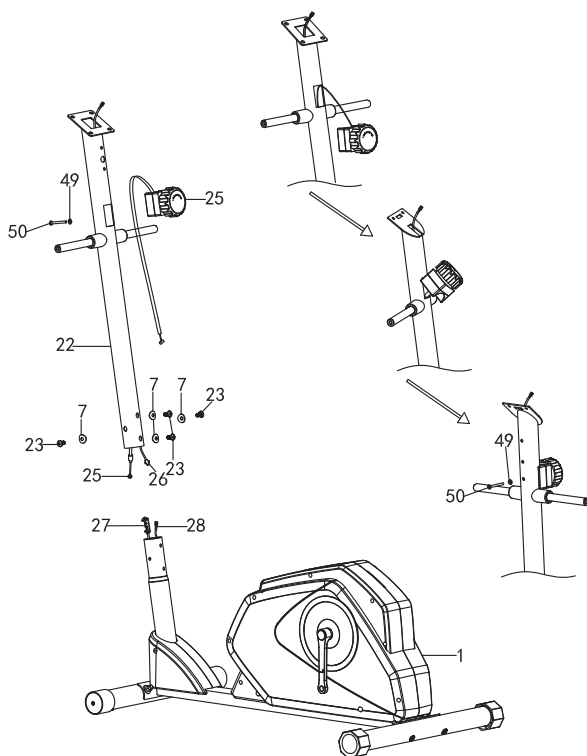


- Monteer de voorste stabilisator door gebruik te maken van de getoonde hardware.
- Monteer de achterste stabilisator door gebruik te maken van de getoonde hardware.

Opmerking:

Plaats eerst alle schroeven/ bouten voordat u deze volledig vastdraait.

Assemblage stap 2



- Bevestig de stelknop voor de weerstand aan de voorste staander.
- Sluit de draden uit de staander en het hoofdframe aan en bevestig de spanningskabel zoals weergegeven in de onderstaande afbeeldingen (stel de knop voor de weerstand in op het maximale niveau om de kabelspanning verlagen) voordat u de staander naar de gewenste positie schuift.



Stap 1



Stap 2



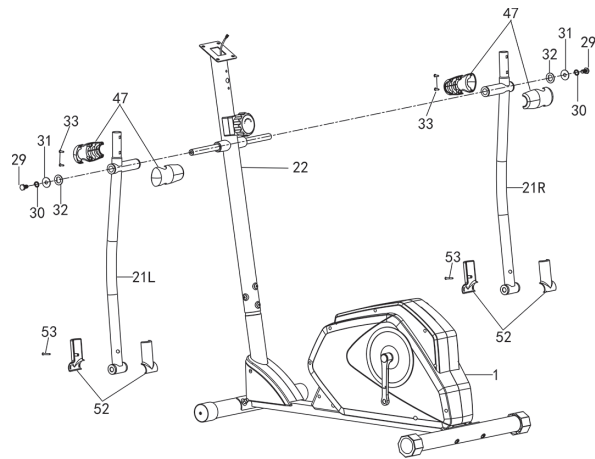
Stap 3

- Gebruik de meegeleverde inbussleutel om de stelschroeven vast te draaien (naar rechts).

Opmerking:

Plaats eerst alle schroeven/ bouten voordat u deze volledig vastdraait.

Assemblage stap 3

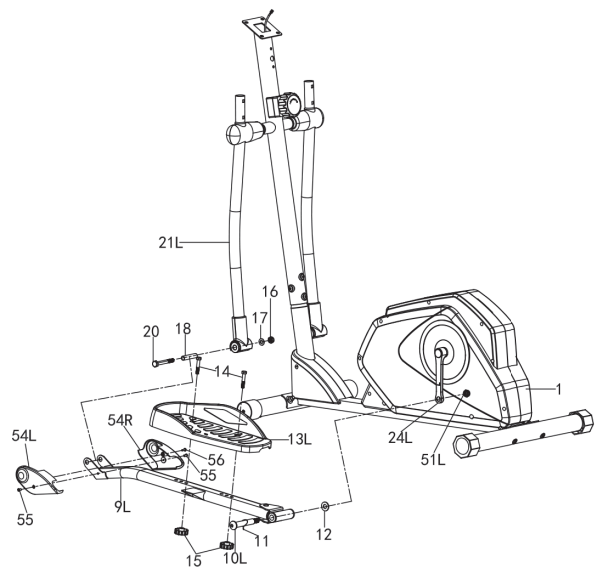


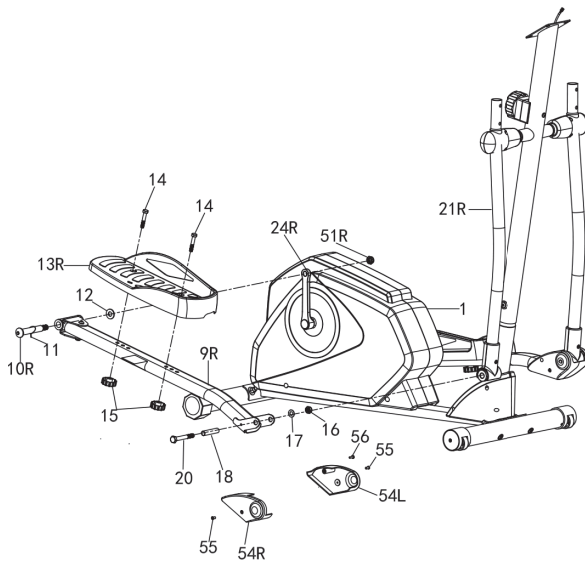
- Bevestig bovenste bewegende handgrepen zoals weergegeven in de afbeelding.

Opmerking:

Plaats eerst alle schroeven/ bouten voordat u deze volledig vastdraait.

Assemblage stap 4





- Bevestig de twee vaste pedaalstangen aan de krukarmen zoals weergegeven in de afbeelding.

Opmerking:

De pedaalstangen hebben het label "L" en "R".

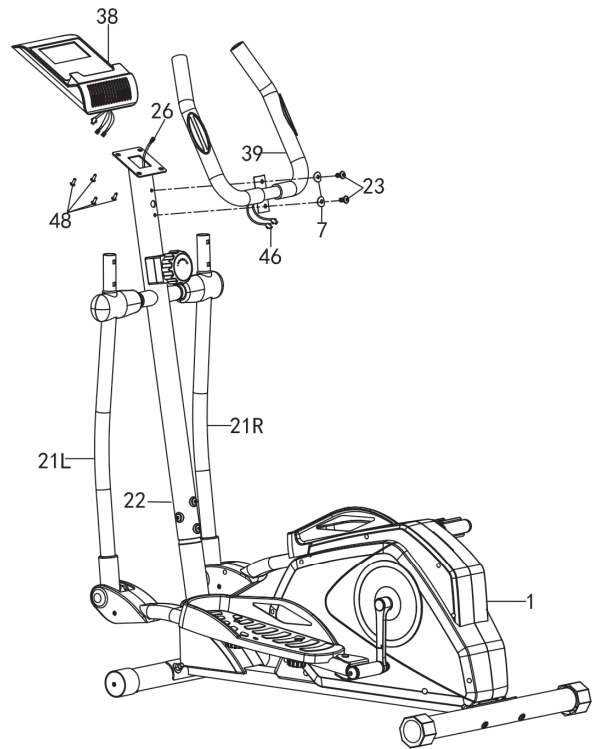
L = links

R = rechts

Opmerking:

De pedaalcharnierbouten voor links en rechts zijn respectievelijk met L en R gemarkeerd. De linkerscharnierbout heeft een linkse schroefdraad.

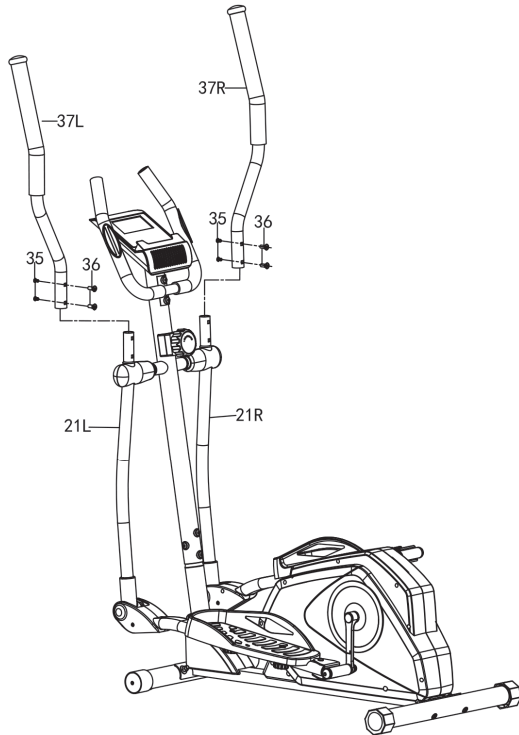
Assemblage stap 5



- Steek de draden voor de hartslagmeter die uit de vaste handgrepen komen door de opening in de consolebeugel.
- Bevestig de buizen voor de vaste handgrepen zoals weergegeven in de afbeelding.
- Sluit de draden voor de hartslagmeter en datakabel aan op de console.
- Bevestig de console aan de consolebeugel.

Opmerking:

- Voorkom dat de draden beschadigd raken tijdens het monteren.
- Plaats eerst alle schroeven en bouten voordat u ze volledig vastdraait.

Assemblage stap 6

- Bevestig de bovenste bewegende handgrepen zoals weergegeven in de afbeelding

Opmerking:

Plaats eerst alle schroeven/ bouten voordat u deze volledig vastdraait.

Gebruik**DE STELPOTEN**

Het toestel is voorzien van 2 steunvoeten. Als het toestel niet stabiel is, kunnen de steunvoeten worden versteld.

- Draai de steunvoeten zo ver in of uit als nodig is om het toestel in een stabiele positie te krijgen.

WEERSTAND AANPASSEN

Om de weerstand te verhogen of verlagen draait u de weerstandsknop aan de stuurbuis met de klok mee (+ richting) om de weerstand te verhogen en tegen de klok in (- richting) om de weerstand te verlagen.

De schaalverdeling boven de knop (1-8) helpt u bij het vinden en opnieuw instellen van een passende weerstand.

Trainingen

De training moet licht genoeg zijn, maar wel langdurig. Aerobische training is gebaseerd op verbetering van de maximale zuurstofopname van het lichaam, die dan het uithoudingsvermogen en de conditie weer verbetert. U moet tijdens de training wel transpireren, maar u mag niet buiten adem raken. Voor het bereiken en in stand houden van een basisconditie moet u minstens drie keer per week steeds 30 minuten trainen. Verhoog het aantal trainingssessies ter verbetering van uw conditie. Het is de moeite waard om regelmatige lichaamsbeweging met gezonde voeding te combineren. Iemand die zich goed aan een dieet houdt, zou elke dag moeten trainen te beginnen met 30 minuten of korter, en de dagelijkse trainingsduur geleidelijk opvoeren tot één uur. Begin uw training bij een lage snelheid en een lage weerstand om te voorkomen dat uw hart en bloedvaten te sterk belast worden.

Naarmate uw conditie verbetert, kunnen snelheid en weerstand geleidelijk worden verhoogd. De doelmatigheid van uw training kan worden gemeten door uw hartslag.

HARTSLAGMETING

(handgreepsensoren)

De hartslag wordt gemeten door sensoren in de handgrepen wanneer de gebruiker beide sensoren tegelijkertijd aanraakt.



WAARSCHUWING

Hartslagbewakingssystemen kunnen onnauwkeurig zijn. Overmatig trainen kan leiden tot ernstig letsel of de dood. Als u zich duizelig voelt, stop dan onmiddellijk met trainen.

Voor de meest nauwkeurige hartslagmeting moet de huid enigszins vochtig zijn en moet u de handgreepsensoren voortdurend aanraken. Bij een te droge of te vochtige huid kan de hartslagmeting minder nauwkeurig worden.

MAXIMALE HARTSLAG

(tijdens de training)

De maximale hartslag is de hoogste hartslag die iemand veilig kan bereiken door de belasting van de training. De volgende formule wordt gebruikt voor het berekenen van de gemiddelde maximale hartslag: $220 - \text{LEEFTIJD}$. De maximale hartslag varieert van persoon tot persoon.



WAARSCHUWING

Zorg ervoor dat u tijdens uw training niet boven uw maximale hartslag komt. Als u bij een risicogroep hoort, moet u een arts raadplegen.

Beginner: (50-60% van de maximale Hartslag)

Geschikt voor beginners, mensen die willen afvallen, herstellende patiënten en personen die lange tijd niet getraind hebben. Train minstens drie keer per week, 30 minuten per keer.

Gevorderd: (60-70% van de maximale hartslag)

Geschikt voor personen die hun conditie willen verbeteren en in stand houden. Train minstens drie keer per week, 30 minuten per keer.

Expert: (70-80% van de maximale hartslag)

Geschikt voor de fitste personen die gewend zijn aan langdurige duurtraining.

Console



FUNCTIEKNOP

MODE

- Druk op MODE om de gewenste consolefunctie te selecteren: TIME, SPEED, DISTANCE, ODOMETER, CALORIES, PULSE
- Houd deze toets vier seconden ingedrukt om TIME, DISTANCE, CALORIES en PULSE te resetten.

SET

Stel de waarden in voor: TIME, DISTANCE, CALORIES en PULSE, wanneer de scanmodus niet actief is.

- Druk op SET om uw doelen in te voeren.
- Druk op MODE om het doel te selecteren dat u wilt instellen. (Het gekozen doel gaat knipperen als u de waarde kunt instellen.)
- Druk op SET om de streefwaarde te verhogen; houd SET drie seconden ingedrukt om de streefwaarde automatisch snel te verhogen. Druk kort op SET om de automatische verhoging stop te zetten.
- Druk kort op RESET om het gewijzigde geselecteerde doel te resetten.
- Druk op MODE om het volgende optionele doel in te stellen.

1e doel dat u instelt, is	TIME
+ 1 min	(1 ~ 99)
2e doel dat u instelt, is	SPEED
kan niet worden gewijzigd	
(max. 99,9 km/u)	
3e doel dat u instelt, is	DIST
+ 0,5 km	(0,5 km ~ 99,5 km)
4e doel dat u instelt, is	ODO
kan niet worden gewijzigd	
(max. 999,9 km/u)	
5e doel dat u instelt, is	CAL
+ 1 min	(1 ~ 999)
6e limiet die u instelt, is	PULSE
+ 1	(40 ~ 240)

BELANGRIJK

- Als u doelen instelt, wordt in de actieve modus de streefwaarde afgeteld.
- Wanneer het doel wordt bereikt, hoort u vier dubbele pieptonen. De bereikte waarde wordt nu vanaf '0' verder opgeteld.
- U kunt meer dan één doel instellen; bij elk bereikt doel hoort u de pieptonen.
- Als u een limiet voor uw hartslag instelt, hoort u drie pieptonen als de ingestelde limiet wordt overschreden.

RESET

- Houd deze toets vier seconden ingedrukt om TIME, DISTANCE, CALORIES en PULSE te resetten.

OPMERKING:

- ODOMETER kan alleen worden gereset als de batterijen worden gewisseld.

FUNCTIONS AND OPERATIONS

SCAN

Scant automatisch functies voor: TIME, SPEED, DISTANCE, ODOMETER, CALORIES en PULSE.

Elke weergave wordt vier seconden getoond.

TIME

Telt automatisch de trainingstijd op terwijl u traint.

SPEED

Toont de actuele snelheid terwijl u traint.

DISTANCE

Telt automatisch de afstand op die u aflegt terwijl u traint.

CALORIE

Telt automatisch de calorieën op die u verbrandt terwijl u traint.

ODOMETER

Telt automatisch de totale afstand op van alle trainingssessies.

PULSE RATE

Toont uw hartslag (indien gemeten).

Als u uw hartslag wilt meten, plaatst u uw handen op de twee contactvlakken. Na 6-7 seconden ziet u op de monitor uw hartslag in BPM (Beats Per Minute).

Opmerking: Tijdens het meten van uw hartslag kan de meting de eerste 2 tot 3 seconden hoger zijn dan uw daadwerkelijke hartslag. Dit komt door de druk op de contactvlakken. Na aanpassing wordt uw daadwerkelijke hartslag weergegeven. Deze meting kan niet als basis worden genomen voor een medische behandeling.

OPMERKING:

- Als het display onduidelijk is of helemaal niets aangeeft, vervangt u de batterijen.
- De monitor gaat automatisch in de stand-by-modus als er al vier minuten geen signaal is ontvangen.
- De monitor wordt automatisch ingeschakeld wanneer u begint met trainen of wanneer u op een knop drukt.
- De monitor begint automatisch met rekenen wanneer u begint en stopt met rekenen nadat u vier seconden niets hebt gedaan.

SPECIFICATIES**Functies**

- Automatisch scannen Om de vier seconden
- Tijd 0:00 ~ 99:59
- Actuele snelheid
De maximum snelheid die kan worden getoond is 99,9 km/u
- Afstand 0,00 ~ 99,99 km
- Calorieën 0,0 ~ 999,9 kcal
- ODO 0,1 ~ 999,9 km
- Hartslag 40 ~ 240 BPM

Type batterij	2 x AA
Bedrijfstemperatuur	0°C ~ +40°C
Opslagtemperatuur	-10°C ~ +60°C

AANVULLENDE OPMERKINGEN

Als het display onduidelijk is of helemaal niets aangeeft, vervangt u de batterijen. De monitor wordt automatisch uitgeschakeld als er al vier minuten geen signaal is ontvangen. De monitor wordt automatisch ingeschakeld wanneer u begint met trainen of wanneer u op een knop drukt. De monitor begint automatisch met rekenen wanneer u begint en stopt met rekenen nadat u vier seconden niets hebt gedaan.

WEERSTAND AANPASSEN

Om de weerstand te verhogen of verlagen draait u de weerstandsknop aan de stuurbuis met de klok mee (+ richting) om de weerstand te verhogen en tegen de klok in (- richting) om de weerstand te verlagen.

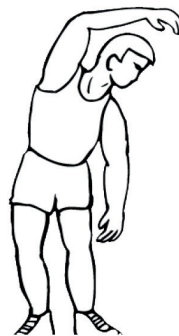
De schaalverdeling boven de knop (1-8) helpt u bij het vinden en opnieuw instellen van een passende weerstand.

Instructies

Het gebruik van dit fitnessapparaat biedt meerdere voordelen: u verbetert uw fysieke conditie, u versterkt uw spieren en u valt in combinatie met een caloriearm dieet af.

DE WARMING UP

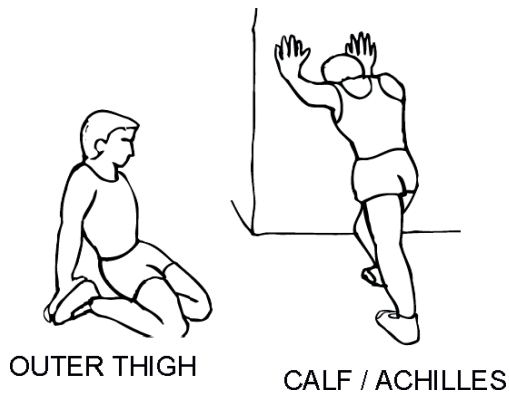
In deze fase wordt uw bloedsomloop gestimuleerd voor een juiste werking van de spieren. Tevens wordt het risico op kramp en spierletsel verminderd. Wij raden u aan enkele stretchoefeningen te doen, zoals hieronder beschreven. Houd elke stretchoefening ongeveer 30 seconden vol. Forceer uw spieren niet bij het stretchen. STOP als het pijn doet.



SIDE BENDS

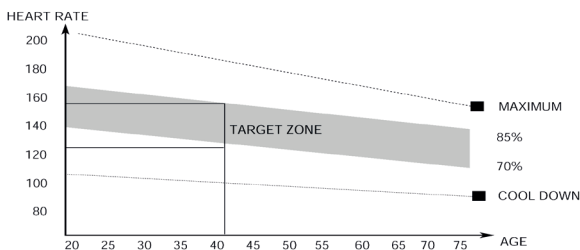


FORWARD BENDS



DE TRAININGSFASE

Dit is de fase waarin u de meeste inspanning levert. Na regelmatig gebruik worden de spieren in uw benen flexibeler. Het is in deze fase zeer belangrijk dat u een gelijkmatig tempo aanhoudt. De snelheid moet voldoende zijn om uw hartslag te laten stijgen naar de doelzone die in de onderstaande grafiek te zien is.



Deze fase moet minimaal 12 minuten duren, maar de meeste mensen beginnen met ongeveer 15-20 minuten.

DE COOLING DOWN

In deze fase ontspant u uw cardiovasculaire systeem en spieren. Dit is een herhaling van de warming-uptraining. Verlaag dus uw tempo en ga ongeveer 5 minuten door. Herhaal nu de stretch-oefeningen. Forceer uw spieren niet tijdens het stretchen. Naarmate u fitter wordt, moet u langer en harder trainen. Het is raadzaam minstens drie keer per week te trainen en zo nodig uw oefeningen gelijkmatig over de week te verspreiden.

SPIERVERSTEVIGING

Als u uw spieren wilt verstevigen met behulp van dit fitnessapparaat, stelt u de weerstand in op hoog. Zo komt er meer spanning op uw beenspieren. Mogelijk kunt u niet zo lang trainen als u zou willen. Als u ook uw conditie wilt verbeteren, moet u het trainingsprogramma aanpassen. Tijdens de warming-up en cooling-down traint u zoals normaal, maar tegen het eind van de trainingsfase verhoogt u de weerstand zodat uw benen harder moeten werken. Verlaag hierbij de snelheid zodat uw hartslag in de doelzone blijft.

GEWICHTVERLIES

Hierbij is het van belang hoeveel inspanning u levert. Hoe harder en langer u werkt, hoe meer calorieën u verbrandt. In feite is dit hetzelfde als wanneer u zou trainen om uw conditie te verbeteren. Het doel is alleen anders.

Aanvullende informatie

AFVOER VAN VERPAKKINGSMATERIAAL



Overheidsrichtlijnen geven aan dat we de hoeveelheid afvalmateriaal afgevoerd naar stortplaatsen moeten verminderen. Daarom vragen we u al het afvalmateriaal op verantwoordelijke wijze af te voeren naar openbare recyclingcentra.

VERWIJDERING AAN HET EIND VAN DE LEVENSDUUR



We hopen dat u jarenlang plezier hebt van uw fitnessapparaat. Er komt echter een moment waarop het fitnessapparaat het eind van de bruikbare levensduur heeft bereikt.

Onder de Europese AEEA-wetgeving bent u verantwoordelijk voor het op de juiste wijze afvoeren van uw fitnessapparaat naar een erkend openbaar inzamelpunt

CONTROLE EN ONDERHOUD

- Inspecteer en draai alle onderdelen aan voordat u het fitnessapparaat gebruikt.
- Maak het fitnessapparaat schoon met een doek bevochtigd met een mild, niet-schurend schoonmaakmiddel. Gebruik GEEN oplosmiddelen.
- Controleer het fitnessapparaat regelmatig op tekenen van slijtage of beschadiging.
- Indien het fitnessapparaat niet regelmatig wordt gecontroleerd, kan het gebruik ervan onveilig worden.
- Vervang defecte onderdelen direct en/of stel het fitnessapparaat buiten gebruik tot het is gerepareerd.

Beperkte garantie

Tunturi garandeert dat dit product, bij normaal gebruik en onderhoud, vrij is van defecten in materiaal en fabricage voor een periode van één jaar na de datum van aankoop. Deze garantie geldt alleen voor de oorspronkelijke koper. De aansprakelijkheid van Tunturi onder deze garantie is beperkt tot het vervangen van beschadigde of defecte onderdelen, zulks uitsluitend ter beoordeling door Tunturi.

Alle retourzendingen moeten vooraf worden geautoriseerd door Tunturi. Deze garantie is niet toepasbaar voor een product of schade aan een product ten gevolge van het transport, misbruik, verkeerd of oneigenlijk gebruik, eigen reparaties door de koper of voor producten gebruikt voor commerciële doeleinden of verhuurdoeleinden. Enkel de bovengenoemde specifieke garanties zijn goedgekeurd door Tunturi. Tunturi is niet verantwoordelijk of aansprakelijk voor bijzondere,

indirecte of gevolgschade die voortkomt uit of verband houdt met het gebruik of de prestaties van het product of andere schade met betrekking tot verlies van eigendom of kapitaal, winstderving of inkomstenverlies, gebruiks- of genotsderving, kosten voor verwijdering, installatie of andere gevolgschade van welke aard dan ook.

Bovenbedoelde garantie komt in de plaats van alle overige garanties. Het bereik en de duur van alle impliciete garanties van verkoopbaarheid en geschiktheid voor een bepaald doel zijn beperkt tot de voorwaarden beschreven in dit document. Uw wettelijke rechten worden niet beïnvloed door deze voorwaarden

BESTELLEN VAN ONDERDELEN

Ondanks voortdurende kwaliteitscontrole kan het gebeuren dat het toestel door individuele onderdelen defect is of niet goed werkt. In de meeste gevallen zal het voldoende zijn om het defecte onderdeel te vervangen.

- Als het toestel niet goed werkt, neem dan onmiddellijk contact op met dedealer.
- Geef het modelnummer en serienummer van het toestel op aan de dealer.

Vertel wat de aard van het probleem is, hoe het toestel wordt gebruikt en wanneer u het toestel heeft gekocht.

Transport en opslag



WAARSCHUWING

Draag en verplaats het toestel met minstens twee personen.

Blijf aan weerskanten aan de voorkant van het toestel staan en pak de handgrepen stevig vast. Til de voorkant van het toestel op zodat de achterkant van het toestel op de wielen komt te rusten. Verplaats het toestel en zet het voorzichtig neer. Zorg voor een beschermende laag onder het toestel om schade aan het vloeroppervlak te voorkomen.

Verplaats het toestel voorzichtig over een ongelijke ondergrond. Breng het toestel niet met behulp van de wielen naar boven, maar draag het toestel bij de handgrepen.

Berg het toestel op een droge plaats op met zo weinig mogelijk temperatuurwisselingen.

Disclaimer

2016 Tunturi New Fitness BV.
Alle rechten voorbehouden.

Het product en de handleiding zijn aan veranderingen onderhevig. Specificaties kunnen zonder verdere kennisgeving worden veranderd.

Indice

AVISOS DE SEGURIDAD	48
SEGURIDAD	48
MONTAJE	49
Contenido del embalaje	49
Juego de herramientas	50
Información general de montaje	50
USO	53
Ajuste de los soportes de los pies. ...	53
SESIONES DE EJERCICIO	53
Medición de las pulsaciones	53
Frecuencia cardíaca máxima	54
CONSOLA	54
Botón de funciones	54
Funciones y operaciones	55
Especificaciones	56
EJERCICIO INSTRUCCIONES	56
Fase de calentamiento	56
Fase de ejercicio	56
Fase de enfriamiento	57
Tonificación muscular	57
Pérdida de peso	57
INFORMACIÓN ADICIONAL	57
Cuidado y mantenimiento	57
LIMPIEZA Y MANTENIMIENTO	58
TRANSPORTE Y	
ALMACENAMIENTO	58
GARANTÍA	58
DESCARGO DE	
RESPONSABILIDAD	58

Este manual español es una traducción del texto inglés.
No se pueden derivar derechos de esta traducción.
El texto original en inglés prevalecerá.

Avisos de seguridad

¡Bienvenido al mundo de Tunturi Fitness! Le agradecemos la adquisición de este equipo Tunturi. Tunturi ofrece una amplia gama de equipos de fitness de alta calidad como bicicletas elípticas, cintas de correr, bicicletas de ejercicio, remos y plataformas vibratorias. El equipo Tunturi es adecuado para toda la familia, independientemente del nivel de forma física. Si desea información adicional, visite nuestro sitio web www.tunturi.com

seguridad



ADVERTENCIA

Lea las advertencias de seguridad y las instrucciones. De no seguirse las advertencias de seguridad y las instrucciones pueden producirse lesiones personales o daños en la máquina. Conserve las advertencias de seguridad y las instrucciones para su consulta posterior.



ADVERTENCIA

Los sistemas de monitorización de frecuencia cardíaca pueden ser imprecisos. Un exceso de ejercicio puede provocar lesiones graves o incluso la muerte. Si se siente mareado, deje de hacer ejercicio inmediatamente.

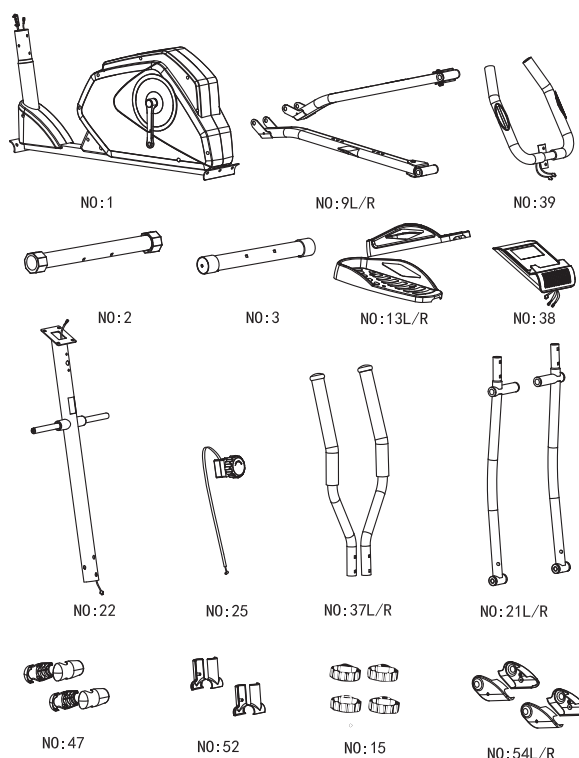
- La máquina es adecuada únicamente para uso doméstico y profesional básico (p. ej. hospitales, cuarteles de bomberos, hoteles, colegios, etc.). El uso máx. está limitado a 6 horas al día. La máquina no es adecuada para un uso comercial completo (p. ej. gimnasios de gran tamaño).
- El uso de esta máquina por niños o por personas con una discapacidad física, sensorial o motora, o falta de experiencia y conocimientos, puede dar lugar a situaciones de riesgo.

- Las personas responsables de su seguridad deben dar instrucciones explícitas o supervisar el uso de la máquina.
- Antes de empezar a hacer ejercicio, consulte con un médico para comprobar su estado de salud.
- Si experimenta náuseas, mareos u otros síntomas anormales, deje de hacer ejercicio inmediatamente y consulte con un médico.
- Para evitar dolor y tensión muscular, realice un calentamiento antes de empezar a hacer ejercicio y termine haciendo relajación. Recuerde hacer estiramientos al final de la sesión de ejercicio.
- La máquina es adecuada únicamente para uso en interior. La máquina no es adecuada para uso en exterior.
- Utilice la máquina únicamente en lugares con una ventilación adecuada. No utilice la máquina en lugares donde haya corriente para no resfriarse.
- Utilice la máquina únicamente en lugares con una temperatura ambiente entre 10 °C y 35 °C. Almacene la máquina únicamente en lugares con una temperatura ambiente entre 5 °C y 45 °C.
- No utilice ni almacene la máquina en espacios húmedos. La humedad del aire no debe ser superior al 80%.
- Utilice la máquina sólo para su uso previsto. No la utilice para otros fines que no sean los descritos en el manual.
- La máquina no debe utilizarse si alguna de las piezas ha sufrido daños o tiene algún defecto. Contacte con su proveedor si alguna de las piezas ha sufrido daños o tiene algún defecto.
- Mantenga las manos, los pies y demás partes del cuerpo alejadas de las piezas móviles.
- Mantenga el pelo alejado de las piezas móviles.
- Lleve ropa y calzado adecuado.
- Mantenga la ropa, las joyas y otros objetos alejados de las piezas móviles.

- Asegúrese de que sólo una persona utilice la máquina cada vez. La máquina no debe ser utilizada por personas con un peso superior a 110 kg (240 lbs).
- No abra la máquina sin consultar con su proveedor TUNTURI.

Montaje

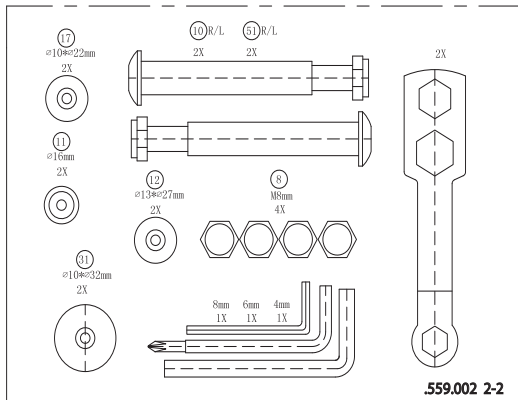
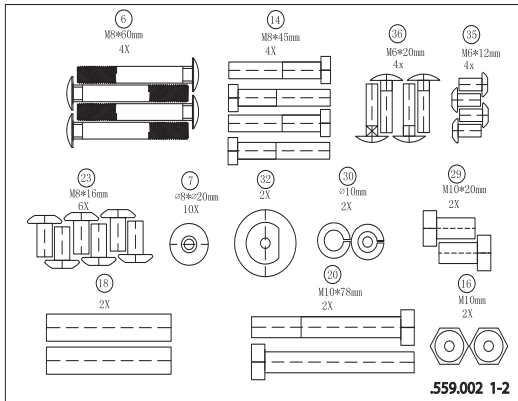
CONTENIDO DEL EMBALAJE



El paquete contiene los elementos que se muestran en la fig.

Si falta una pieza, contacte con su proveedor.

JUEGO DE HERRAMIENTAS



El paquete contiene los elementos que se muestran en la fig.

Si falta una pieza, contacte con su proveedor

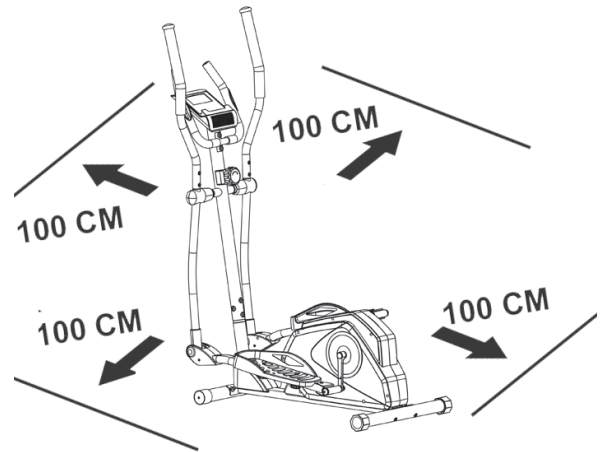
INFORMACIÓN GENERAL DE MONTAJE

ADVERTENCIA

- Monte la máquina en el orden indicado.
- Al menos dos personas deben transportar y mover la máquina.

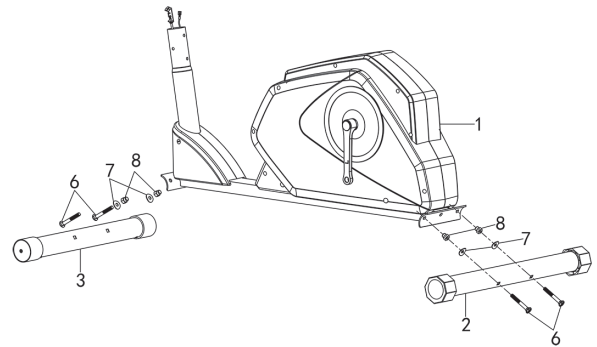
PRECAUCIÓN

- Coloque la máquina sobre una superficie firme y nivelada.
- Coloque la máquina sobre una base protectora para evitar daños en la superficie del suelo.
- Deje unos 100 cm de espacio alrededor de la máquina.



Consulte las ilustraciones para el correcto montaje de la máquina.

Montaje paso 1

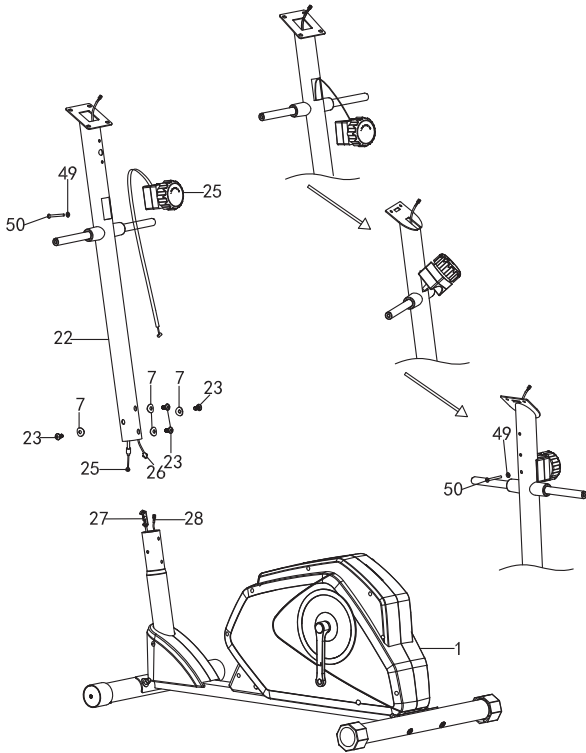


- Fijar el estabilizador frontal usando la tornillería
- Fijar el estabilizador trasero usando la tornillería

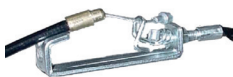
Anótese:

Primero poner todos los tornillos en el lugar adecuado antes de apretarlos por completo.

Montaje paso 2



- Fije el mando de ajuste de la tensión en el poste delantero.
- Conecte los cables del tubo vertical y del bastidor principal y el cable de tensión como se muestra en las siguientes imágenes (gire la perilla de tensión al máximo para facilitar la conexión de los cables) antes de colocar el tubo vertical en posición.



Paso 1



Paso 2



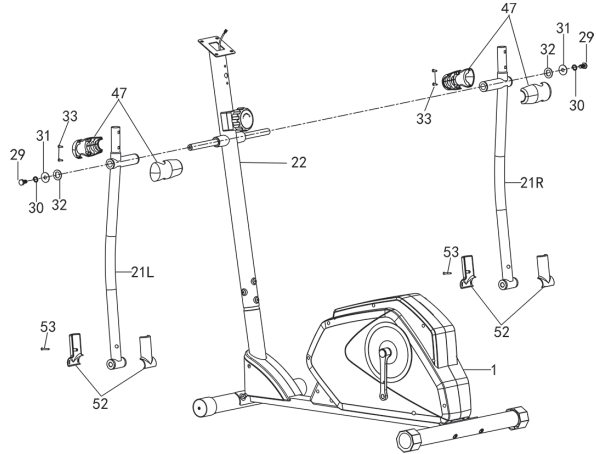
Paso 3

- Utilice la llave Allen incluida para apretar los tornillos de sujeción, girando en sentido horario.

Anótese:

Primero poner todos los tornillos en el lugar adecuado antes de apretarlos por completo.

Montaje paso 3

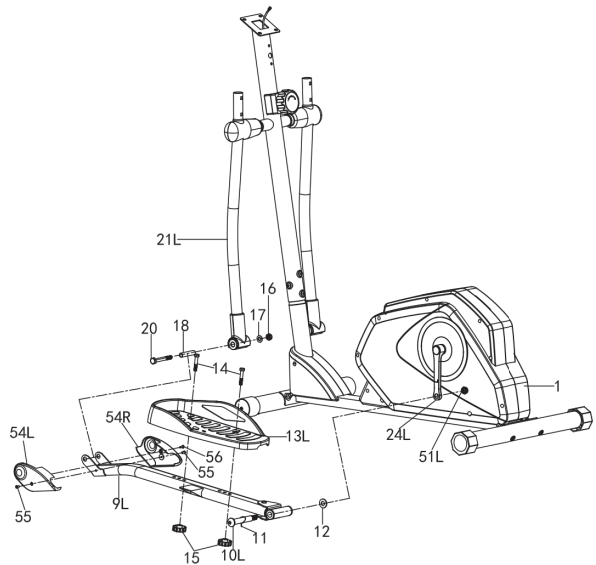


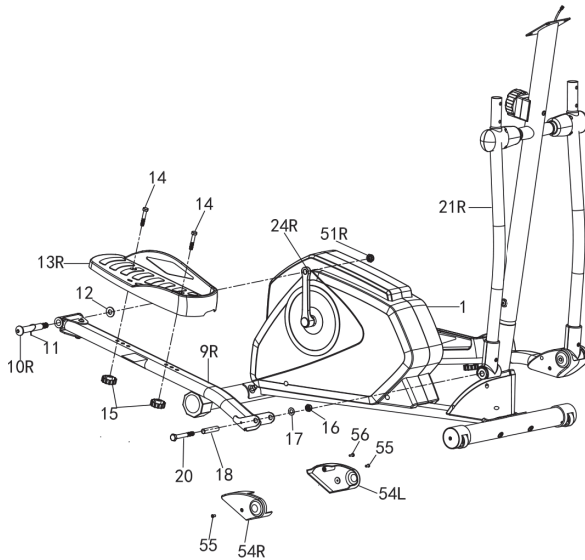
- Fijar los brazos móviles superiores como se muestra en la imagen.

Anótese:

Primero poner todos los tornillos en el lugar adecuado antes de apretarlos por completo.

Montaje paso 4





- Coloque los dos tubos fijos de los pedales con las dos bielas como se muestra en la imagen.

Nota:

Los pedales están marcados con las letras "L" y "R".

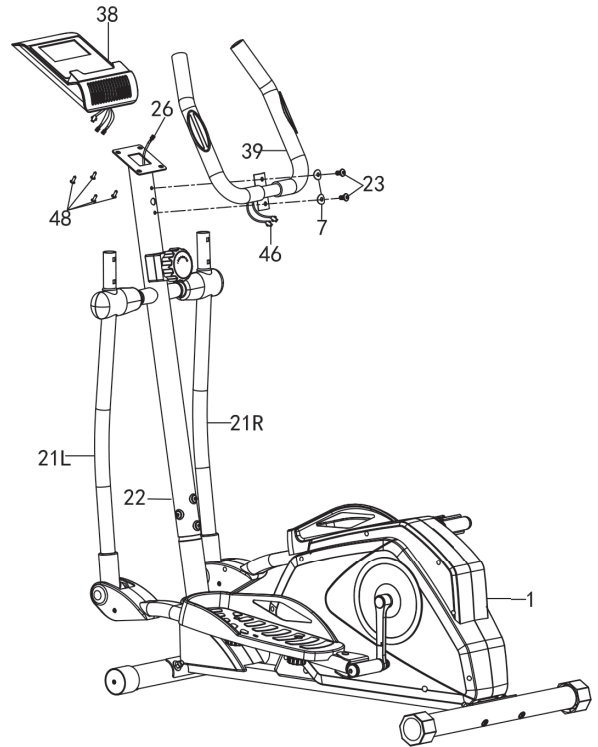
L = pedal izquierdo

R = pedal derecho

Nota:

Los pernos de la bisagra de los pedales izquierdo y derecho llevan las marcas L y R, respectivamente. El perno de la bisagra izquierda tiene rosca izquierda.

Montaje paso 5



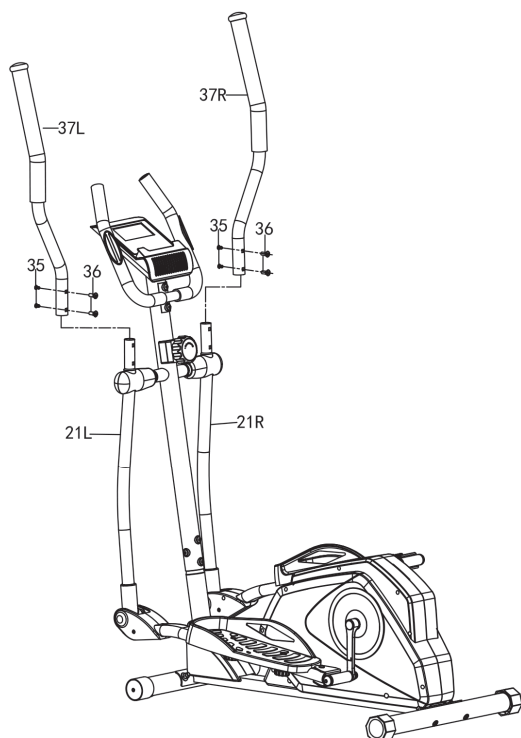
- Pase los cables del pulsómetro que salen del manillar fijo por el orificio del soporte de la consola.
- Coloque los tubos del manillar fijo como se muestra en la imagen.

Nota:

- Evite que los cables resulten dañados durante el montaje
- Ponga primero todos los tornillos/pernos en el lugar adecuado antes de apretarlos completamente.

Anótese:

- Evitar daños del cableado durante el montaje.
- Primero poner todos los tornillos en el lugar adecuado antes de apretarlos por completo.

Montaje paso 6

- Fijar los brazos móviles superiores como se muestra en la imagen.

Anótese:

Primero poner todos los tornillos en el lugar adecuado antes de apretarlos por completo.

Uso**AJUSTE DE LOS SOPORTES DE LOS PIES.**

La máquina está equipada con 2 soportes de riel (patas) regulables. Si la máquina no está estable, es posible ajustar los pies de soporte.

- Gire los pies de soporte tanto como sea necesario para estabilizar la máquina.

Sesiones de ejercicio

La sesión de ejercicio debe ser ligera, pero de larga duración. El ejercicio aeróbico se basa en mejorar el consumo de oxígeno máximo del cuerpo, lo que a su vez mejora la resistencia y la forma física. Debe respirar, pero no debe quedarse sin aliento durante la sesión de ejercicio. Para lograr y mantener un nivel de forma física básico, debe realizar ejercicio al menos tres veces a la semana, 30 minutos cada vez. Aumente el número de sesiones de ejercicio para mejorar su nivel de forma física. Vale la pena combinar el ejercicio regular con una dieta sana. Una persona que se encuentre a dieta debe realizar ejercicio a diario, al principio 30 minutos o menos cada vez, aumentando gradualmente el tiempo de ejercicio diario hasta una hora. Empiece la sesión de ejercicio a velocidad baja y resistencia baja para evitar que el sistema cardiovascular se vea sometido a una tensión excesiva. A medida que mejore el nivel de forma física, pueden aumentarse gradualmente la velocidad y la resistencia. La eficiencia de su ejercicio puede medirse supervisando su frecuencia cardíaca y sus pulsaciones.

MEDICIÓN DE LAS PULSACIONES (sensor de pulsaciones de mano)

Las pulsaciones se miden con unos sensores en los manillares cuando el usuario toca ambos sensores al mismo tiempo.

**ADVERTENCIA**

Los sistemas de monitorización de frecuencia cardíaca pueden ser imprecisos. Un exceso de ejercicio puede provocar lesiones graves o incluso la muerte. Si se siente mareado, deje de hacer ejercicio inmediatamente.

Para lograr una medición más precisa de las pulsaciones, la piel debe estar ligeramente húmeda y tocar constantemente los sensores de pulso de mano. Si la piel está demasiado seca o demasiado húmeda, la medición de las pulsaciones puede resultar menos precisa.

FRECUENCIA CARDÍACA MÁXIMA (durante el entrenamiento)

La frecuencia cardíaca máxima es la frecuencia cardíaca más elevada que puede alcanzar una persona de forma segura por la tensión del ejercicio. Se utiliza la siguiente fórmula para calcular la frecuencia cardíaca máxima media: $220 - \text{EDAD}$. La frecuencia cardíaca máxima varía según la persona.



ADVERTENCIA

Asegúrese de no superar la frecuencia cardíaca máxima durante la sesión de ejercicio. Si usted se encuentra en un grupo de riesgo, consulte con un médico.

Principiante:

(50-60% de frecuencia cardíaca máx.)
Adecuada para principiantes, personas que cuidan la línea, convalecientes y personas que no han hecho ejercicio en mucho tiempo. Haga ejercicio al menos tres veces a la semana, 30 minutos cada vez.

Avanzado:

(60-70% de frecuencia cardíaca máx.)
Adecuada para personas que desean mejorar y mantener la forma física. Haga ejercicio al menos tres veces a la semana, 30 minutos cada vez.

Experto:

(70-80% de frecuencia cardíaca máx.)
Adecuado para personas con muy buena forma física que están acostumbradas a sesiones de ejercicio de gran resistencia.

Consola



BOTÓN DE FUNCIONES

MODE

- Pulse el botón MODE para seleccionar las funciones de la consola; TIME, SPEED, DISTANCE, ODOMETER, CALORIES, PULSE.
- Pulse y mantenga pulsado durante 4 segundos para restablecer: TIME, DISTANCE, CALORIES y PULSE.

SET

Ajuste los valores de: TIME, DISTANCE, CALORIES y PULSE, si no está en modo de exploración.

- Pulse el botón SET para poner la consola en el modo de definición de objetivos.
- Pulse MODE para seleccionar el objetivo que quiere fijar (el objetivo seleccionado parpadea si es posible fijar el valor).
- Pulse el botón SET para aumentar el nivel del objetivo o manténgalo pulsado durante 3 segundos para incrementar automáticamente el valor más rápido. Pulse brevemente SET para detener el aumento automático del valor.
- Pulse brevemente el botón RESET para restablecer el objetivo seleccionado que se ha modificado.
- Pulse el botón MODE para activar el siguiente objetivo opcional por ajustar.

El 1º objetivo que se ajusta es + 1 min (1~99)	TIME
El 2º objetivo que se ajusta es no se puede cambiar (máx. 99,9 KM/H)	SPEED
El 3º objetivo que se ajusta es + 0,5 KM (0,5 KM~99,50 KM)	DIST
El 4º objetivo que se ajusta es no se puede cambiar (máx. 999,9 KM)	ODO
El 5º objetivo que se ajusta es + 1 (1 ~ 999)	CAL
El 6º objetivo que se ajusta es + 1 (40 ~ 240)	PULSE

NOTA:

- al fijar un objetivo, el valor iniciará una cuenta atrás en modo activo.
- Una vez alcanzado el objetivo, la consola le avisará mediante 4 señales acústicas duales. Después de alcanzar el valor, empezará a contar en sentido ascendente desde "0"
- Se pueden fijar varios objetivos. Al alcanzar cada uno de ellos se le irá notificando.
- Si establece un límite para pulse, la consola le avisará mediante una señal acústica triple continuada cada vez que lo supere.

RESET

- Pulse y mantenga pulsado durante 4 segundos para restablecer: TIME, DISTANCE, CALORIES y PULSE.

NOTA:

- ODOMETER solamente se puede restablecer al sustituir las baterías.

FUNCIONES Y OPERACIONES**SCAN**

Explora automáticamente las funciones de: TIME, SPEED, DISTANCE, ODOMETER, CALORIES y PULSE. Cada función se mantiene en pantalla durante 4 segundos

TIME

Acumula automáticamente el tiempo de ejercicio.

SPEED

Muestra la velocidad actual al realizar ejercicio.

DISTANCE

Acumula automáticamente la distancia recorrida durante el ejercicio.

CALORIE

Acumula automáticamente las calorías quemadas al hacer ejercicio.

ODOMETER

Acumula automáticamente la distancia total de todas las sesiones de entrenamiento.

PULSE RATE

Muestra la frecuencia cardíaca en cada momento, si se está midiendo.

Antes de medirse el pulso, coloque las palmas de las manos en los paneles de contacto y el monitor le mostrará su frecuencia cardíaca actual en pulsaciones por minuto (PPM) en la pantalla de LCD a los 6~7 segundos.

Nota: A causa de las posibles interferencias en el contacto, es posible que el valor medido del pulso sea superior a la frecuencia virtual durante los primeros 2 o 3 segundos, después volverá a los niveles normales. El valor obtenido no se debe tomar como base para tratamientos médicos

Anótese:

- Si la pantalla se ve débilmente o no se ven números, sustituya las baterías.
- El monitor se apaga automáticamente si no recibe ninguna señal en 4 minutos.
- El monitor se enciende automáticamente al comenzar a hacer ejercicio o al pulsar el botón con señal.

- El monitor comienza a calcular cuando empieza el ejercicio y termina de hacerlo cuando para durante 4 segundos.

ESPECIFICACIONES

Función

- Exploración automática
Cada 4 segundos
- Tiempo 0:00 ~ 99:59
- Velocidad actual La velocidad máxima que se puede mostrar es de 99,9 KM/H
- Distancia recorrida 0,00 ~ 99,99 KM
- Calorías 0,0 ~ 999,9 KCal
- Distancia total 0,1 ~ 999,9 KM
- Frecuencia del pulso 40 ~ 240PPM

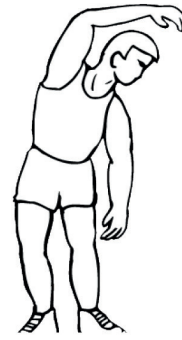
Tipo de baterías 2 uds. tipo AA
 Temperatura de funcionamiento 0 °C ~ +40 °C
 Temperatura de almacenamiento -10°C ~ +60°C

Ejercicio Instrucciones

El uso de su entrenador le aportará muchas ventajas, mejorará su tono físico, tonificará los músculos y, combinado con una dieta con un consumo controlado de calorías, le ayudará a perder peso.

FASE DE CALENTAMIENTO

Esta fase mejora la circulación y favorece el buen funcionamiento de los músculos. Asimismo, reduce el riesgo de calambres y de lesiones musculares. Es conveniente realizar una serie de ejercicios de estiramiento, como se muestra más abajo. Al estirar se debe mantener la posición durante unos 30 segundos; no fuerce los músculos ni realice movimientos bruscos para estirarlos, si duele, PARE inmediatamente.



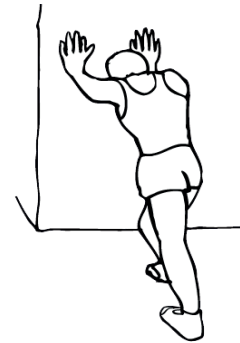
SIDE BENDS



FORWARD BENDS



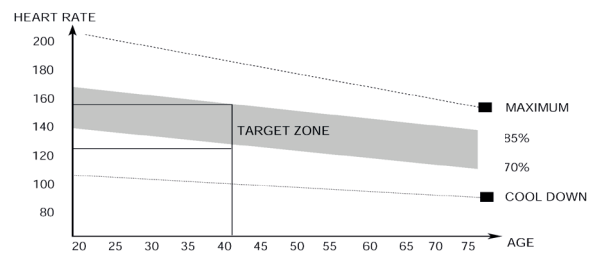
OUTER THIGH



CALF / ACHILLES

FASE DE EJERCICIO

Esta es la fase de esfuerzo. Tras un uso regular, los músculos de las piernas irán ganando flexibilidad. Es importante mantener un ritmo estable durante toda esta fase. El ejercicio debe ser lo suficientemente fuerte como para incrementar el ritmo cardíaco hasta el objetivo que se muestra en el siguiente cuadro.



Esta fase debe tener una duración mínima de 12 minutos, aunque la mayoría de las personas empiezan a los 15-20 minutos.

FASE DE ENFRIAMIENTO

La finalidad de esta fase es permitir que se relaje el sistema cardiovascular y los músculos. Es una repetición del ejercicio de calentamiento, por lo que debe ir reduciendo el ritmo de manera constante durante unos 5 minutos. En este momento debe repetir también los ejercicios de estiramiento, evitando de nuevo forzar los músculos o hacer movimientos bruscos.

A medida que vaya mejorando su forma física, es posible que el entrenamiento tenga que ser más largo e intenso. Es aconsejable entrenarse al menos tres veces a la semana, espaciando de manera uniforme, en la medida de lo posible, los entrenamientos durante la semana.

TONIFICACIÓN MUSCULAR

Si quiere tonificar los músculos mientras trabaja con el aparato, deberá ajustar la resistencia en un nivel bastante alto. Así aumentará la tensión sobre los músculos de las piernas, con lo que es posible que no pueda entrenarse durante todo el tiempo que le gustaría. Si quiere mejorar su condición física, tendrá que modificar también el programa de entrenamiento. El entrenamiento durante las fases de calentamiento y enfriamiento será igual, pero debe aumentar la resistencia hacia el final de la fase de ejercicio para incrementar el esfuerzo del tren inferior. Tendrá que reducir la velocidad para mantener el ritmo cardíaco en la zona objetivo.

PÉRDIDA DE PESO

El factor determinante en este sentido es el esfuerzo realizado. Cuanto más intenso y prolongado sea el ejercicio físico, más calorías quemará. En realidad, es lo mismo que si se entrenara para mejorar la condición física, lo que cambia es el objetivo.

Información adicional

ELIMINACIÓN DE EMBALAJES

Las pautas gubernamentales exigen reducir la cantidad de residuos que se depositan en los basureros. Por este motivo, le rogamos que deseche los embalajes de manera responsable en centros públicos de reciclaje.



ELIMINACIÓN AL FINAL DE LA VIDA ÚTIL

Desde Tunturi esperamos que disfrute de su equipo de entrenamiento durante muchos años. No obstante, llegará un momento en que éste llegue al final de su vida útil. Conforme a la Directiva WEEE (relativa a la gestión de residuos procedentes de equipos eléctricos y electrónicos) le corresponde a usted la responsabilidad de desechar adecuadamente su equipo de entrenamiento en un centro público autorizado de recogida.



CUIDADO Y MANTENIMIENTO

- Inspeccione y apriete todas las piezas antes de utilizar el equipo de entrenamiento.
- El aparato se puede limpiar utilizando un paño húmedo y detergente neutro no abrasivo. NO utilice disolventes.
- Examine con regularidad el equipo para verificar que no haya indicios de daños ni desgaste.
- Si no se realizan las tareas de inspección periódica, el nivel de seguridad del equipo de entrenamiento puede verse afectado.
- Sustituya inmediatamente cualquier componente defectuoso o deje el equipo fuera de servicio hasta su reparación.

Limpieza y mantenimiento

Defectos y fallos.

A pesar del control de calidad continuo, la máquina podría presentar defectos y fallos debidos a piezas individuales. En la mayoría de los casos, será suficiente sustituir la pieza.

- Si la máquina no funciona correctamente, contacte inmediatamente con su proveedor.
- Facilite al proveedor el número de modelo y el número de serie de la máquina. Indique la naturaleza del problema, las condiciones de uso y la fecha de compra.

Transporte y almacenamiento



ADVERTENCIA

Al menos dos personas deben transportar y mover la máquina.

- Mueva la máquina con cuidado sobre superficies irregulares. Transporte siempre la máquina por los manillares y el raíl trasero.
- Almacene la máquina en un lugar seco con la menor variación de temperatura posible.

Garantía

El producto tiene una garantía desde la fecha de entrega (que debe documentarse mediante factura o albarán). Su proveedor local podrá ofrecerle información adicional sobre las condiciones de la garantía. Las condiciones de la garantía varían de un país a otro. Los daños causados por el desgaste normal, la sobrecarga o un montaje incorrecto están excluidos de la garantía. Los daños causados por fallos de materiales o defectos de fabricación están cubiertos por la garantía y se repararán o se sustituirán sin coste alguno.

Descargo de responsabilidad

© 2016 Tunturi New Fitness BV
Reservados todos los derechos.

El producto y el manual están sujetos a cambios. Las especificaciones pueden modificarse sin previo aviso.

Innehåll

VÄLKOMMEN	59
SÄKERHETSVARNINGAR	59
MONTERING	60
Delar från kartongen	60
Monteringsmaterial	60
Allmän monteringsinformation	61
Monteringssteg	61
ANVÄNDNING	64
Justera stödfötterna	64
Justering af motståndet	64
TRÄNING	64
Pulsmätning	64
Maximal hjärtfrekvens	64
ANVÄNDARGRÄNSSNITT	65
Funktionsknapp	65
Funktioner och användning	66
Specifikationer	66
ÖVNING INSTRUKTIONER.....	66
Uppvärmningsfasen.....	66
Träningsfasen	67
Nedvarvningsfasen	67
Muskeltoning.....	67
Viktminskning.....	67
YTTERLIGARE INFORMATION	68
SKÖTSEL OCH UNDERHÅLL	68
GARANTI.....	68
Fel och funktionsstörningar.....	68
TRANSPORT OCH LAGRING	69
FRISKRIVNING	69

Denna handbok är en översättning av den engelska texten. Vi förbehåller oss rätten till eventuella översättningsfel. Den engelska originaltexten råder.

Välkommen

Välkommen till Tunturi Fitness värld! Tack för att du köpte denna Tunturiutrustning. Tunturi erbjuder ett stort utbud av motionsredskap för hemmabruk, exempelvis crosstrainers, löpband, träningscyklar och roddmaskiner. Utrustning från Tunturi passar hela familjen, oavsett träningsnivå. Mer information finns på vår webbplats, www.tunturi.com

Säkerhetsvarningar



VARNING

Läs säkerhetsvarningarna och instruktionerna. Om inte säkerhetsvarningarna och instruktionerna följs kan det medföra skador på personer eller utrustningen. Behåll säkerhetsvarningarna och instruktionerna för framtida bruk.



VARNING

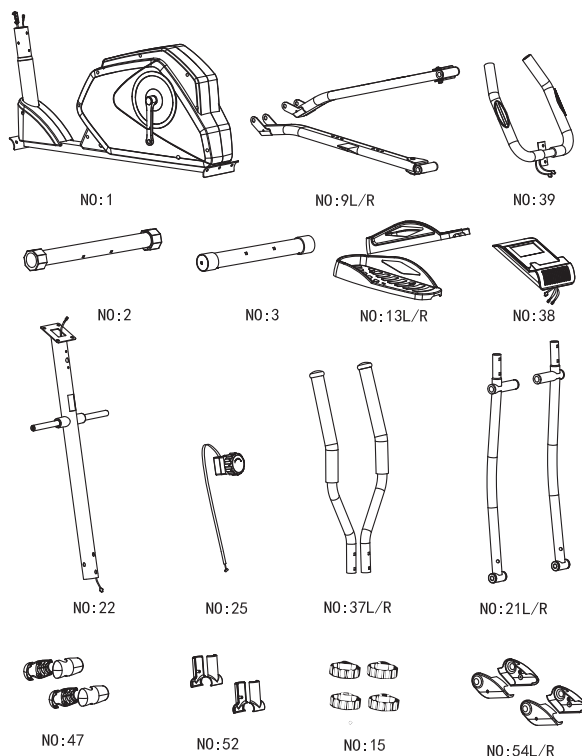
System som mäter hjärtfrekvens kan vara felaktiga. För mycket träning kan leda till allvarlig skada eller dödsfall. Avbryt träningen omgående om du känner dig matt.

- Utrustningen är endast anpassad för hemmabruk. Utrustningen är inte anpassad för kommersiell användning.
- Om utrustningen används av barn eller personer med fysiska, sensoriska, mentala eller motoriska handikapp, eller som saknar erfarenhet och kunskap, kan detta medföra risker. Personer som är ansvariga för deras säkerhet måste ge tydliga instruktioner, eller övervaka användningen av utrustningen.
- Innan du påbörjar din träning, uppsök en läkare som kan kontrollera din hälsa.

- Om du upplever illamående, yrsel eller andra onormala symptom, avsluta genast din träning och kontakta en läkare.
- Börja varje träningspass med att värma upp och avsluta varje träningspass med nedvarvning för att undvika muskelsmärter och sträckningar. Kom ihåg att stretcha i slutet av träningen.
- Utrustningen är endast anpassad för användning inomhus. Utrustningen är inte anpassad för användning utomhus.
- Använd endast utrustningen i miljöer med god ventilation. Använd inte utrustningen i dragiga miljöer för att undvika att bli förkyld.
- Använd endast utrustningen i miljöer med temperatur mellan 10 °C och 35 °C. Förvara endast utrustningen i miljöer med temperatur mellan 5 °C och 45 °C.
- Använd inte och förvara inte utrustningen i fuktig miljö. Luftfuktigheten får aldrig överstiga 80%.
- Använd endast utrustningen för dess avsedda ändamål. Använd inte utrustningen för andra ändamål än de som beskrivs i handboken.
- Använd inte den här utrustningen om någon del är trasig eller skadad. Om någon del är trasig eller skadad, kontakta din återförsäljare.
- Håll undan händer, fötter och andra kroppsdelar från de rörliga delarna.
- Håll undan håret från de rörliga delarna.
- Bär passande kläder och skor.
- Håll undan kläder, smycken och andra föremål från de rörliga delarna.
- Låt bara en person åt gången använda utrustningen. Utrustningen får inte användas av personer som väger mer än 110kg.
- Öppna inte utrustningen utan att kontakta din återförsäljare.

Montering

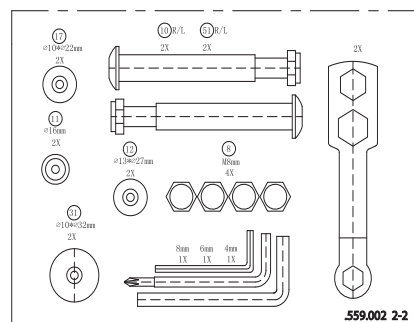
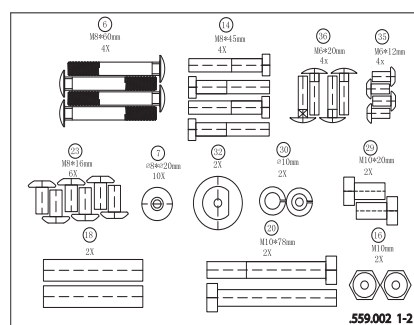
DELAR FRÅN KARTONGEN



Förpackningen innehåller delarna som visas i bild.

Om någon del saknas, kontakta din återförsäljare.

MONTERINGSMATERIAL



Förpackningen innehåller de fästdon som visas i bild.

Om någon del saknas, kontakta din återförsäljare.

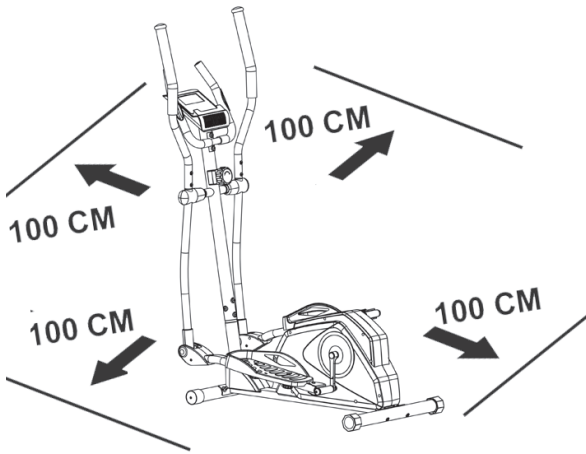
ALLMÄN MONTERINGSINFORMATION

VARNING

- Montera utrustningen i angiven ordning.
- Var två om att bära och förflytta utrustningen.

OBS.

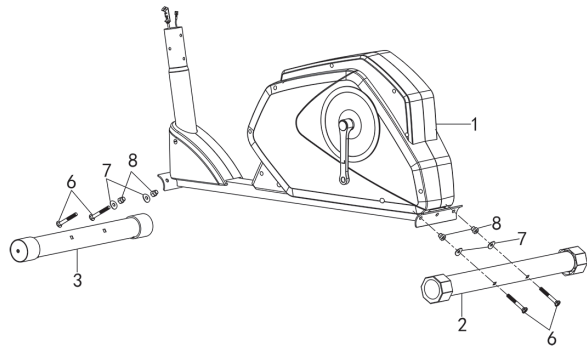
- Placera utrustningen på en stabil och jämn yta.
- Placera utrustningen på en skyddande grund för att förhindra att golvet skadas.
- Lämna åtminstone 100 cm fritt runt utrustningen.



Bilderna visar det korrekta sättet att montera utrustningen.

MONTERINGSSTEG

Monteringssteg 1

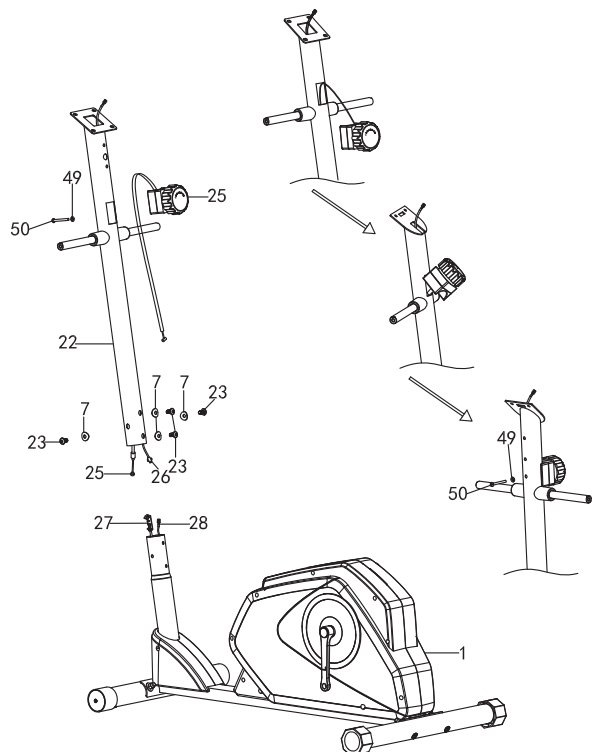


- Montera den främre stabilisatorn med visat monteringsmaterial.
- Montera den bakre stabilisatorn med visat monteringsmaterial.

Anmärkning:

Innan alla skruvar/bultar dras åt helt, ska de första placeras på rätt plats

Monteringssteg 2



- Anslut kablarna från det lodräta röret och huvudramen och anslut spänningsvajern enligt nedanstående bilder (vrid spänningsknoppen

till maxnivå för att underlätta vajeranslutning) innan du skjuter fast det lodräta röret i position.



Steg 1



Steg 2



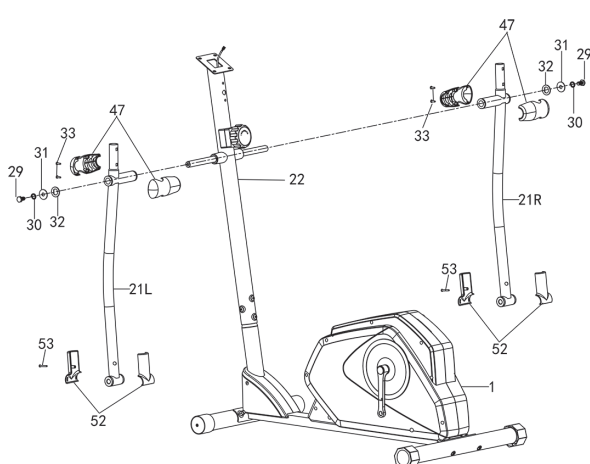
Steg 3

- Använd medföljande insexnyckel för att dra åt skruvarna; vrid dem medsols

Anmärkning:

Innan alla skruvar/bultar dras åt helt, ska de första placeras på rätt plats

Monteringssteg 3

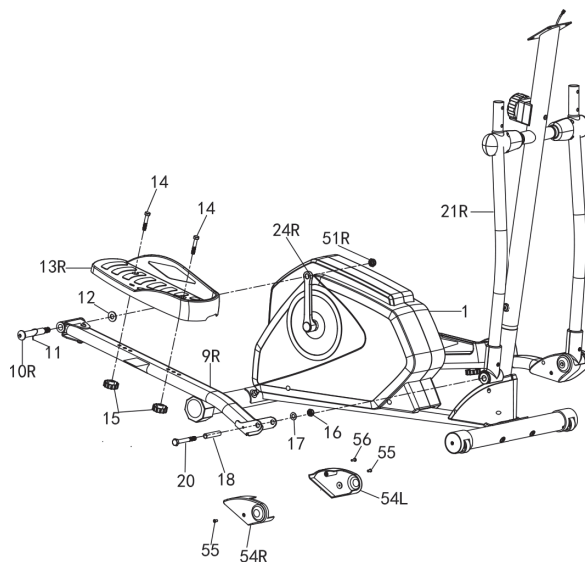
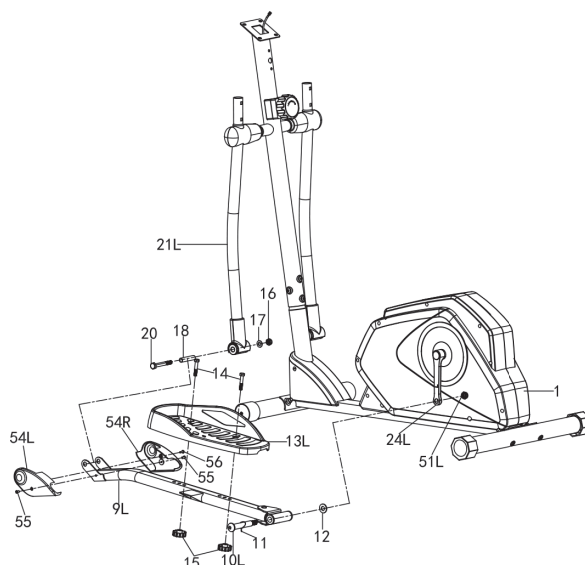


- Led kablarna för handpulsavläsning genom hålet mot displayens monteringsöppning.
- Montera handtaget på det lodräta röret med visat monteringsmaterial

Anmärkning:

Innan alla skruvar/bultar dras åt helt, ska de första placeras på rätt plats

Monteringssteg 4



- Anslut båda fasta pedalstängerna till de två vevarmarna enligt bilden.

Anmärkning:

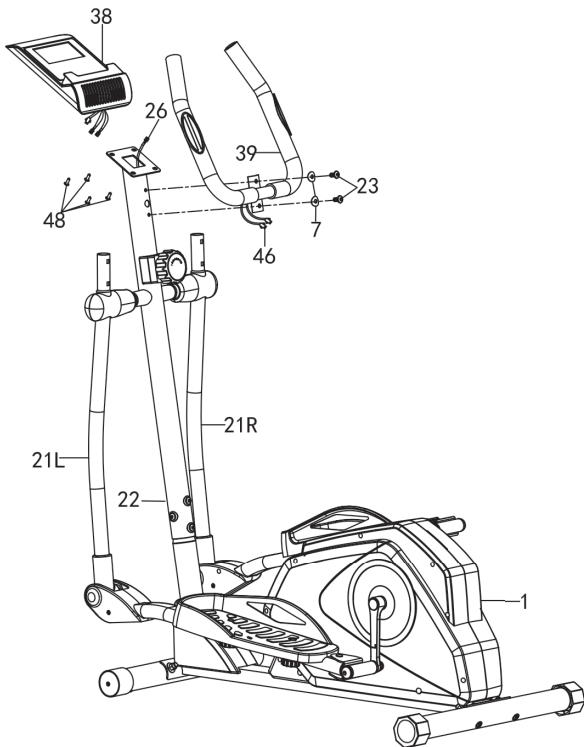
Pedalstöden är markerade med "L" och "R".

L = vänster pedalstöd

R = höger pedalstöd.

Anmärkning:

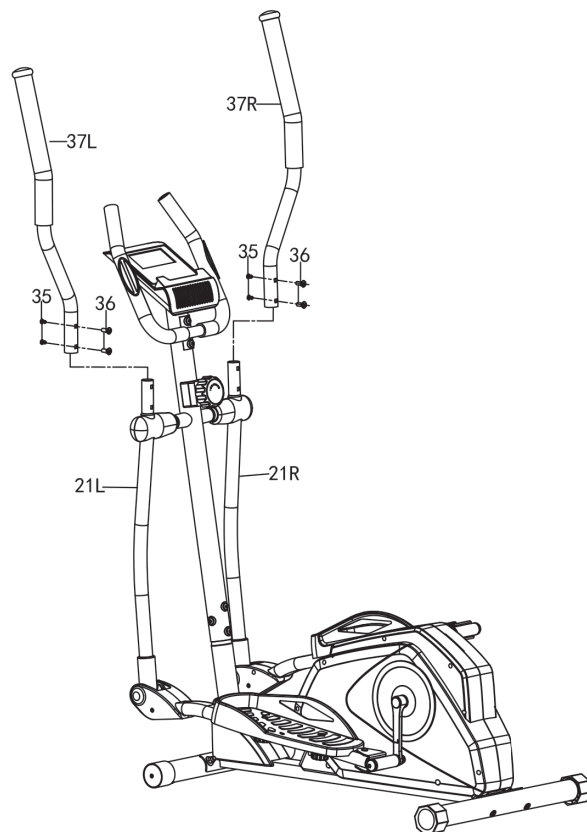
Höger och vänster pedalgångjärnsbultar är märkta R respektive L. Vänster gångjärnsbult har en vänstergänga

Monteringssteg 5

- Led kablarna för handpulsmätning från det fasta styret genom hålet på konsolfästet.
- Montera det fasta styret enligt bilden
- Anslut handpuls-kablarna och datakabeln till konsolen.
- Montera konsolen på konsolfästet.

Anmärkning:

- Undvik att skada kablarna under monteringen
- Innan alla skruvar/bultar dras åt helt, ska de första placeras på rätt plats

Monteringssteg 7

- Montera de övre rörliga styrena enligt bilden

Anmärkning:

Innan alla skruvar/bultar dras åt helt, ska de första placeras på rätt plats.

Användning

JUSTERA STÖDFÖTTERNA

Utrustningen är utrustad med två stödfötter. Om utrustningen inte är stabil, kan stödfötterna justeras.

- Vrid stödfötterna för att placera utrustningen i en stabil position.

JUSTERING AF MOTSTÅNDET

Du kan öka eller minska motståndet med hjälp av reglaget upptill på handstödet.

Om du vrider medsols (+) ökar motståndet och om du vrider motsols (-) minskar motståndet. Med hjälp av skalan (1-8) är det lätt att ställa in önskat motstånd.

Träning

Träningen måste vara lagom lätt, men hålla på länge. Aerobisk träning är till för att förbättra kroppens maximala syreupptag, vilket förbättrar uthålligheten och konditionen. Du ska svettas, men du ska inte bli andfådd under träningen. För att uppnå och behålla en grundkondition, träna åtminstone tre gånger i veckan, 30 minuter åt gången. Öka antalet träningspass för att förbättra din kondition. Det är bra att kombinera regelbunden träning med hälsosam kost. En person som har bestämt sig för att banta bör träna dagligen, 30 minuter eller mindre till en början och sedan öka den dagliga träningstiden till en timme. Börja din träning i låg hastighet och med lågt motstånd för att förhindra att hjärtkärlsystemet utsätts för kraftig belastning. När konditionen förbättras, kan hastigheten och motståndet ökas gradvis. Din tränings effektivitet kan mätas genom att kontrollera din hjärtfrekvens och din puls.

PULSMÄTNING

(handpulssensorer)

Pulsen mäts av sensorer i handtagen när användaren vidrör båda sensorerna samtidigt.



VARNING

System som mäter hjärtfrekvens kan vara felaktiga. För mycket träning kan leda till allvarlig skada eller dödsfall. Avbryt träningen omgående om du känner dig matt.

Korrekt pulsmätning kräver att skinnet är en aning fuktigt och i ständig kontakt med handpulssensorerna. Om skinnet är för torrt eller för fuktigt kommer pulsmätningen att bli mindre exakt.

MAXIMAL HJÄRTFREKVENNS

(under träning)

Den maximala hjärtfrekvensen är den högsta hjärtfrekvens en person säkert kan få vid träning. Följande formel används för att beräkna den genomsnittliga maximala hjärtfrekvensen: $220 - \text{ÅLDER}$. Den maximala hjärtfrekvensen varierar från person till person.



VARNING

Kontrollera att du inte överskrider din maximala hjärtfrekvens under din träning. Kontakta en läkare om du tillhör en riskgrupp.

Nybörjarnivå: (50-60% av den maximala hjärtfrekvensen)

Passar nybörjare, viktväktare, konvalescenter och personer som inte har tränat på länge. Träna åtminstone tre gånger i veckan, 30 minuter åt gången.

Avancerad nivå: (60-70% av den maximala hjärtfrekvensen)

Passar personer som vill förbättra och underhålla konditionen. Träna åtminstone tre gånger i veckan, 30 minuter åt gången.

Expert: (70-80% av den maximala hjärtfrekvensen)
 Passar de mest vältränade, som är vana vid långa och tunga träningspass.

Användargränssnitt



FUNKTIONSKNAPP

MODE

- Tryck på knappen MODE för att välja konsolfunktioner; TIME, SPEED, DISTANCE, ODOMETER, CALORIES, PULSE
- Tryck och håll i 4 sekunder för att återställa: TIME, DISTANCE, CALORIES och PULSE.

SET

Ställ in värden för: TIME, DISTANCE, CALORIES och PULSE, när den inte är i skanningsläge.

- Tryck på knappen SET för att ställa in konsolen i målinmatningsläge.
- Tryck på MODE för att välja ett mål du vill ställa in. (det valda målet blinkar när det är möjligt att ställa in värde.)
- Tryck på knappen SET för att öka målinmatningen, håll knappen SET i 3 sekunder för att automatiskt öka värdet snabbt. Tryck på knappen SET snabbt för att stoppa Automatisk ökning av värdet.

- Tryck på knappen RESET kort för att återställa det ändrade valda målet.
- Tryck på knappen MODE för att aktivera nästa valfria mål att ställa in.

- | | |
|----------------------------|-------------------|
| 1:a mål att ställa in är | TIME |
| + 1 min | (1 ~ 99) |
| 2:a mål att ställa in är | SPEED |
| kan inte ändras | (max. 99,9 KM/H) |
| 3:e mål att ställa in är | DIST |
| + 0,5KM | (0,5KM ~ 99,50KM) |
| 4:e mål att ställa in är | ODO |
| kan inte ändras | (max. 999,9 KM) |
| 5:e mål att ställa in är | CAL |
| + 1 | (1 ~ 999) |
| 6:e gräns att ställa in är | PULSE |
| + 1 | (40 ~ 240) |

OBS!

- När du ställer in ett mål, kommer det inställda målet räkna ned i aktivt läge.
- När målet har nåtts, kommer konsolen bekräfta med 4 dubbla akustiska pipsignaler. Det nådda värdet kommer nu att räkna från "0".
- Du kan ställa in fler än ett mål, alla mål kommer att meddela när målet nåtts.
- När du ställer in en gräns för puls, kommer konsolen att meddela detta genom en kontinuerlig akustisk trippel pipsignal när den inställda gränsen överskrids.

RESET

- Tryck och håll i 4 sekunder för att återställa: TIME, DISTANCE, CALORIES och PULSE.

OBS!

- ODOMETER kan endast återställas genom att byta batterier.

FUNKTIONER OCH ANVÄNDNING

SCAN

Automatiska skanningsfunktioner för: TIME, SPEED, DISTANCE, ODOMETER, CALORIES och PULSE.

Varje display visas i 4 sekunder

TIME

Sparar träningstid automatiskt när du tränar.

SPEED

Visar aktuell hastighet när du tränar.

DISTANCE

Sparar distansen automatiskt när du tränar.

CALORIE

Sparar brända kalorier automatiskt när du tränar.

ODOMETER

Sparar den Totala distansen automatiskt för alla träningspass.

PULSE RATE

Visar aktuell puls, om den mäts.

Innan pulsen mäts, placera handflatorna på båda kontaktplattor och skärmen visar aktuell puls per slag per minut (BPM) på skärmen efter 6-7 sekunder.

Anmärkning:

Under pulsmätningprocessen, kan mätvärdet vara högre än den faktiska pulsen under de första 2-3 sekunderna, den återgår sedan till normal nivå. Det uppmätta värdet kan inte ses som grund för medicinsk behandling.

OBS!

- Byt batterierna om displayen lyser svagt eller inte visar några siffror.
- Skärmen stängs automatiskt av till standbyläge om ingen signal tas emot efter 4 minuter.
- Skärmen tänds automatiskt när träning påbörjas eller när en knapp trycks på.

- Skärmen börjar automatiskt att räkna när du börjar träna och slutar räkna när du slutar träna efter 4 sekunder.

SPECIFIKATIONER

Funktion

- Aut. skanning Varje 4 sekunder
- Tid 0:00 ~ 99:59
- Aktuell hastighet Den högsta hastigheten som visas är 99,9 KM/H
- Avlagd distans 0.00 ~ 99.99 KM
- Kalorier 0.0 ~ 999.9 K.Cal
- ODO 0.1 ~ 999.9 KM
- Puls 40 ~ 240 BPM

Batterityp 2 st AA-typ
Drifttemperatur 0°C ~ +40°C
Förvaringstemperatur -10°C ~ +60°C

Övning Instruktioner

Användningen av ditt träningsredskap kommer att ge dig många fördelar; det kommer att förbättra din fysiska kondition, tona musklerna och tillsammans med en kalorikontrollerad diet hjälpa dig att gå ned i vikt.

UPPVÄRMNINGSAFASEN

Denna fas får blodet att börja pumpa runt i kroppen och förbereder musklerna på aktivitet. Den minskar även risken för kramp och muskelskada. Det är tillrådligt att göra några stretchövningar som visas nedan. Varje stretchövning ska hållas i ungefär 30 sekunder. Tvinga eller tryck inte in musklerna i en stretchövning. Om det gör ont, SLUTA



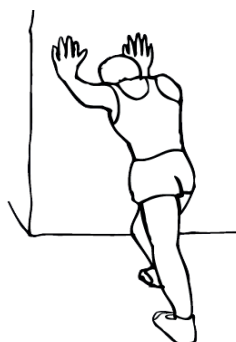
SIDE BENDS



FORWARD BENDS



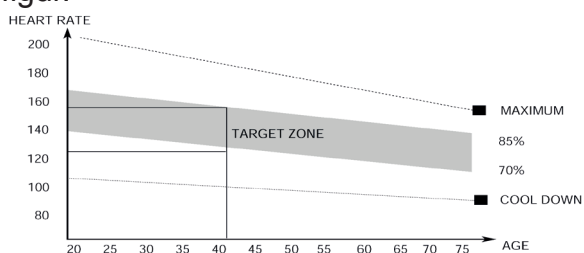
OUTER THIGH



CALF / ACHILLES

TRÄNINGSFASEN

Detta är fasen där du jobbar. Efter regelbunden användning, kommer musklerna i dina ben att bli mer flexibla. I denna fas är det mycket viktigt att bibehålla ett jämnt tempo från början till slut. Ansträngningsnivån ska vara tillräcklig för att höja din puls till målzonen som visas i nedanstående figur.



Denna fas bör pågå i minst 12 minuter, även om de flesta börjar med ungefär 15-20 minuter.

NEDVARVNINGSFASEN

Under denna fas får ditt kardiovaskulära system och dina muskler varva ned. Den är en upprepning av uppvärmningsövningen, t.ex. minska ditt tempo, fortsatt i ca 5 minuter. Stretchövningarna ska nu upprepas. Kom ihåg att inte tvinga eller trycka in musklerna i stretchövningen. När du blir mer vältränad, kan du träna längre och hårdare. Vi rekommenderar att träna minst tre gånger i veckan, och, om möjligt, fördela dina träningstillfällen jämnt under hela veckan.

MUSKELTONING

För att tona musklerna när du använder träningsredskapet, måste du ställa in en ganska hög belastning. Detta belastar benmusklerna mer och kan innebära att du inte kan träna så länge som du vill. Om du även försöker förbättra din kondition, måste du ändra ditt träningsprogram. Du bör träna som vanligt under uppvärmnings- och nedvarvningsfaserna, men mot slutet av träningsfasen kan du öka belastningen så att dina ben får jobba hårdare. Du måste minska hastigheten för att hålla pulsen i målzonen.

VIKTMINSKNING

Den viktigaste faktorn här är hur mycket du anstränger dig. Ju hårdare och längre du tränar, desto fler kalorier bränner du. Detta är i princip detsamma som om du tränade för att förbättra din kondition, skillnaden är målet.

Ytterligare information

BORTSKAFFANDE AV FÖRPACKNING



Riktlinjer från myndigheter uppmanar att vi minskar mängden avfall som placeras i deponier. Vi ber dig därför att bortskaffa allt förpackningsavfall på ett ansvarsfullt sätt på allmänna återvinningscentraler.

BORTSKAFFANDE AV UTTJÄNT REDSKAP



Vi på Tunturi hoppas att du får många års trevlig användning av ditt träningsredskap. Men det kommer en tid när ditt träningsredskap är uttjänt. Enligt den europeiska WEEE-lagstiftningen, ansvarar du för korrekt bortskaffande av ditt träningsredskap på en allmän återvinningsanläggning.

Skötsel och underhåll

- Kontrollera och dra åt alla delar innan detta träningsredskap används.
- Träningsredskapet kan rengöras med en fuktig trasa och ett mildt rengöringsmedel. ANVÄND INTE lösningsmedel.
- Kontrollera regelbundet om träningsredskapet uppvisar tecken på skador eller slitage.
- Underlåtenhet att undersöka träningsredskapet regelbundet kan påverka utrustningens säkerhetsnivå.
- Byt alla defekta komponenter direkt och/eller använd inte träningsredskapet innan det är reparerat.

Garanti

Produkten omfattas av en garanti från leveransdatumet (måste styrkas av faktura eller följesedel). Ytterligare information om garantivillkor kan erhållas av din lokala återförsäljare. Garantivillkoren kan skilja sig åt mellan olika länder. Skador som orsakats av normal förslitning, överbelastning eller felaktig hantering omfattas inte av garantin. Skador som orsakats av fel på material eller tillverkning omfattas av garantin och kommer att repareras eller ersättas utan kostnad.

FEL OCH FUNKTIONSSTÖRNINGAR

Trots ständig kvalitetskontroller, kan fel och funktionsstörningar inträffa som orsakas av enstaka delar. I de flesta fallen räcker det med att byta ut den felaktiga delen.

- Om utrustningen inte fungerar korrekt, kontakta omedelbart återförsäljaren.
- Lämna utrustningens modellnummer och serienummer till återförsäljaren.
- Ange problemets art, förhållanden vid användning och inköpsdatum..

Transport och lagring



VARNING

- Var två om att bära och förflytta utrustningen.
- Stå framför utrustningen på vardera sidan och ta ett fast grepp i handtagen. Lyft utrustningens framsida så att baksidan lyfts på hjulen. Förflytta utrustningen och sätt ner den försiktigt. Placera utrustningen på en skyddande grund för att förhindra att golvet skadas.
- Förflytta utrustningen försiktigt över ojämna ytor. Förflytta inte utrustningen till övervåningen med hjulen, utan bär utrustningen med handtagen.
- Förvara utrustningen på en torr plats med så liten temperaturvariation som möjligt.

Friskrivning

2016 Tunturi New Fitness B.V.
Alla rättigheter förbehållna.

Produkten och handboken kan komma att ändras. Specifikationer kan ändras utan förvarning.

Sisällys

TERVETULOA.....	70
TURVALLISUUSOHJEET JA	
-VAROITUKSET	70
Sähköturvallisuus.....	71
KOKOONPANO.....	72
Pakkauksen sisältö	72
Kiinnittimet	72
Yleiset kokoonpano-ohjeet	72
Kokoonpanovaiheet.....	72
KÄYTTÖ	75
Tukijalkojen säätäminen	75
Vastuksen säätäminen.....	75
HARJOITUKSET.....	75
Pulssin mittaus.....	76
Maksimisyke	76
OHJAUSPANEELI	76
Toimintopainike	76
Toiminnot	77
Tekniset tiedot.....	78
OHJEITA HARJOITTELUA VARTEN	78
Lämmittelyvaihe.....	78
Harjoitteluvaihe	78
Jäähdyttelyvaihe	79
Lihasten kiinteytys	79
Painon pudotus.....	79
LISÄTIETOA LAITTEEN	
OMISTAJALLE	79
Hoito ja huolto.....	79
PUHDISTUS JA HUOLTO	80
KULJETUS JA SÄILYTYS.....	80
TAKUU	80
VASTUUVAPAAUSLAUSEKE	80

Tämä suomennettu käyttöohje on käännetty englannin kielestä. Pidätämme oikeudet mahdollisiin käännösvirheisiin. Käännös tehty virallisen, englanninkielisen version pohjalta

Tervetuloa

Tervetuloa Tunturi New Fitness -maailmaan!
Kiitämme sinua tämän Tunturi-laitteen ostosta. Tunturi tarjoaa laajan valikoiman ammattimaisia kuntoilulaitteita, mukaan lukien crosstrainerit, juoksumatot, kuntopyörät, soutulaitteet ja värinälevyt. Tunturi-laite sopii koko perheelle kuntotasosta riippumatta. Katso lisätiedot verkkosivuiltamme www.tunturi.com

Turvallisuusohjeet ja -varoitukset



VAROITUS

Lue turvallisuusvaroitukset ja -ohjeet. Turvallisuusvaroitusten ja -ohjeiden noudattamatta jättäminen voi aiheuttaa henkilön loukkaantumisen tai laitevaurion. Säilytä turvallisuusvaroitukset ja -ohjeet myöhempää käyttöä varten.



VAROITUS

Sykkeenvalvontajärjestelmät saattavat olla epätarkkoja. Liiallinen arjoittelu saattaa aiheuttaa vakavia harjoittelu tai kuoleman. Jos tunnet olosi heikoksi, lopeta harjoittelu heti.

- Tämä laite soveltuu sekä koti- että ammattikäyttöön (esim. sairaaloihin, paloasemille, hotelleihin, kouluihin). Enimmäiskäyttö on rajoitettu 6 tuntiin päivässä. Laite ei sovellu täyteen kaupalliseen käyttöön (esim. suuriin kuntosaleihin).
- Tämän laitteen käyttö lasten tai fyysisesti, aistillisesti, henkisesti, tai liikunnallisesti rajoittuneiden, tai kokemukseltaan ja tiedoiltaan puutteellisten henkilöiden toimesta voi aiheuttaa vaaratilanteita. Heidän turvallisuudestaan vastuussa olevien henkilöiden on annettava selkeät ja tarkat ohjeet laitteen käytöstä ja

valvottava laitteen käyttöä.

- Ennen harjoituksen aloittamista ota yhteys lääkäriin terveystarkastusta varten.
- Jos sinulla on pahoinvointia, huimausta, tai muita epätavallisia oireita, lopeta välittömästi harjoitus ja ota yhteys lääkäriin.
- Vältä lihaskipuja ja venähdyksiä aloittamalla jokainen harjoitus lämmittelyjaksolla ja päättää jokainen harjoitus jäähdyttelyjaksolla. Muista venytellä harjoittelun lopuksi.
- Laitte on sopiva vain sisäkäyttöön. Laitte ei ole sopiva ulkokäyttöön.
- Käytä laitetta riittävällä tuuletuksella varustetuissa tiloissa. Älä käytä laitetta vetoisissa tiloissa välttääksesi kylmettymisen.
- Käytä laitetta vain ympäristölämpötilassa 10 °C - 35 °C. Säilytä laitetta vain ympäristölämpötilassa 5 °C - 45 °C.
- Älä käytä tai säilytä laitetta kosteissa tiloissa. Ilmankosteus ei saa koskaan olla yli 80 %.
- Käytä laitetta vain sen aiottuun tarkoitukseen. Älä käytä laitetta muihin, kuin tässä käyttöoppaassa esitettyihin tarkoituksiin.
- Älä käytä laitetta, jos sen jokin osa on vaurioitunut tai viallinen. Jos osa on vaurioitunut tai viallinen, ota yhteys jälleenmyyjään.
- Pidä kätesi, jalkasi ja kehon muut osat pois liikkuvista osista.
- Pidä hiuksesi pois liikkuvista osista.
- Käytä asianmukaista vaateetusta ja kenkiä.
- Pidä vaatteet, korut ja muut esineet pois liikkuvista osista.
- Varmista, että vain yksi henkilö kerrallaan käyttää laitetta. Yli 110 kg (240 lbs) painava henkilö ei saa käyttää laitetta.
- Älä avaa laitetta ilman yhteydenottoa jälleenmyyjäsi.r.

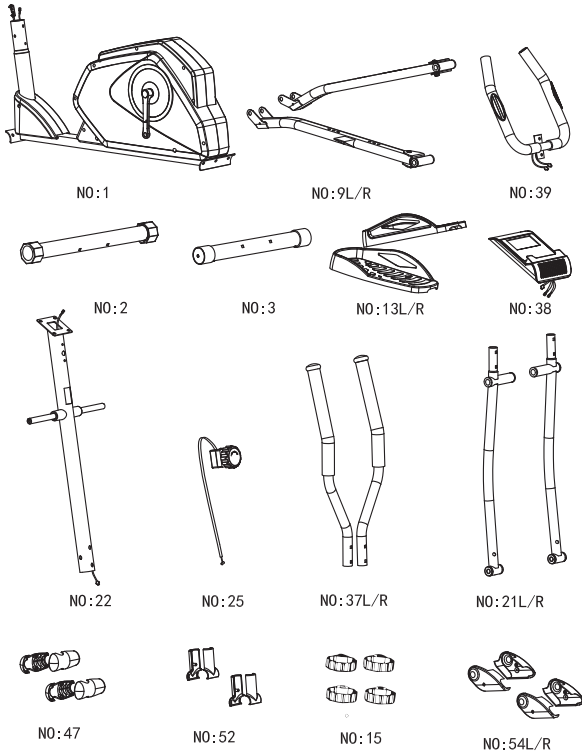
SÄHKÖTURVALLISUUS

(koskee vain sähköistä laitetta)

- Varmista aina ennen käyttöä, että sähkölähteen jännite on sama kuin laitekilvessä ilmoitettu laitteen nimellisjännite.
- Älä käytä jatkojohtoa.
- Pidä virtajohto pois kuumasta, öljystä ja terävistä kulmista.
- Älä tee muutoksia virtajohtoon tai pistokkeeseen.
- Älä käytä laitetta, jos virtajohto tai virtajohdon pistoke on vaurioitunut tai viallinen. Jos virtajohto tai virtajohdon pistoke on vaurioitunut tai viallinen, ota yhteys jälleenmyyjäsi.
- Suorista aina virtajohto täysin.
- Älä vie virtajohtoa laitteen alitse. Älä laita virtajohtoa maton alle. Älä laita virtajohdon päälle mitään esineitä.
- Varmista, ettei virtajohto roiku pöydän kulman yli. Varmista, ettei virtajohtoon voi vahingossa tarttua kiinni tai kompastua.
- Älä jätä laitetta ilman valvontaa virtajohdon ollessa liitettynä pistorasiaan.
- Älä vedä pistoketta irti pistorasiasta virtajohdosta vetämällä.
- Irrota pistoke pistorasiasta, kun laite ei ole käytössä, ennen asennusta tai purkamista ja ennen puhdistusta sekä huoltoa.

Kokoonpano

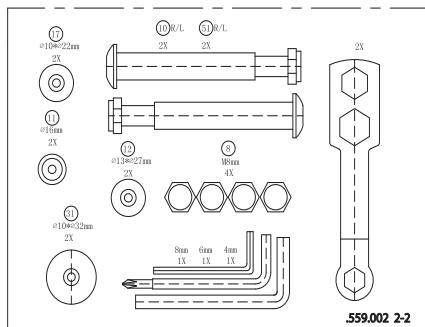
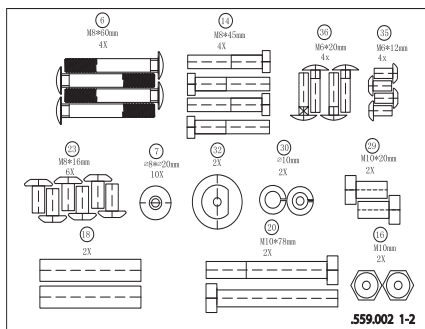
PAKKAUKSEN SISÄLTÖ



Pakkaus sisältää kuvassa näytetyt osat.

Jos osa puuttuu, ota yhteys jälleenmyyjään.

KIINNITTIMET



Pakkaus sisältää kuvassa näytetyt osat.

Jos osa puuttuu, ota yhteys jälleenmyyjään.

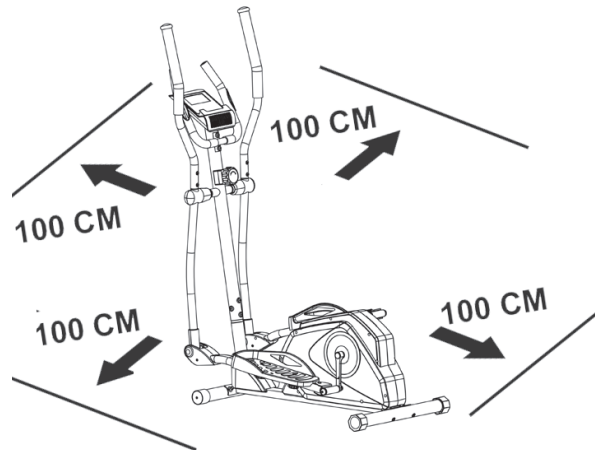
YLEISET KOKOONPANO-OHJEET

VAROITUS

- Kokoonpane laite esitetystä järjestyksessä
- Vähintään kahden henkilön on kannettava ja siirrettävä laitetta.

HUOMAUTUS

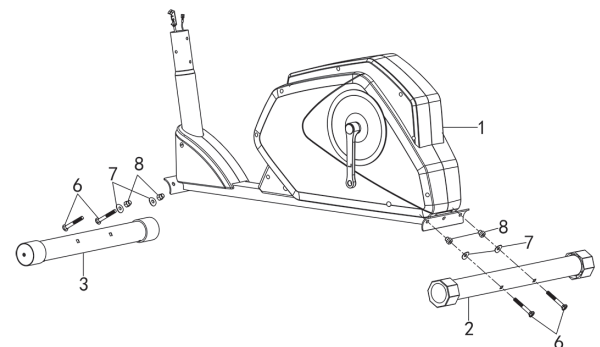
- Sijoita laite kovalle, tasaiselle alustalle.
- Asetakaa laite suojajalustalle lattiapinnan vaurioiden estämiseksi.
- Varaa vähintään 100 cm tilaa laitteen ympärille.



Katso piirroksesta laitteen oikea asennus.

KOKOONPANOVAIHEET

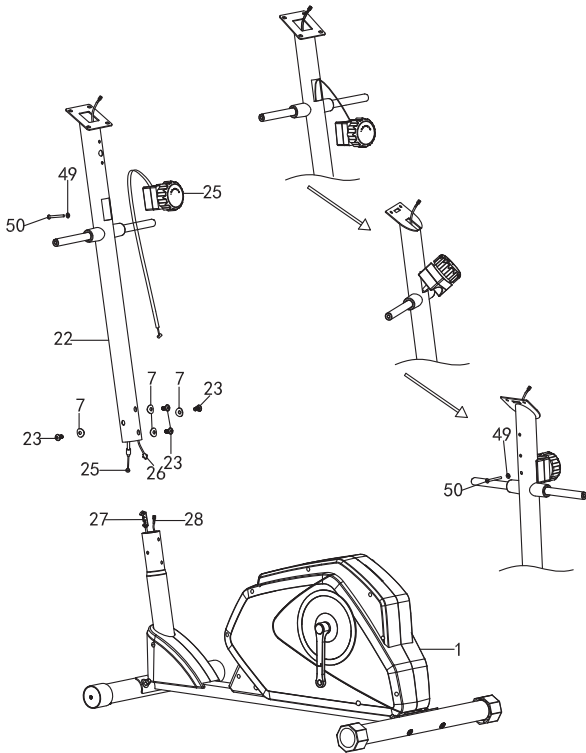
Vaihe 1



- Aseta etutukijalka paikoilleen käyttäen ohessa kuvattuja välineitä.
- Aseta takatukijalka paikoilleen käyttäen ohessa kuvattuja välineitä.

Huom:

Aseta kaikki ruuvit/ pultit paikoilleen ennen kuin kiristät ne täysin.

Vaihe 2

- Sovita vastuksensäätönuppi etuputkeen.
- Liitä pystyputkesta ja runko-osasta tulevat johdot ja liitä vastuksensäätökaapeli alla olevien kuvien mukaisesti (valitse vastuksensäätönupilla suurin vastus kaapelin liittäminen helpottamiseksi) ennen pystyputken työntämistä paikalleen



Vaihe 1



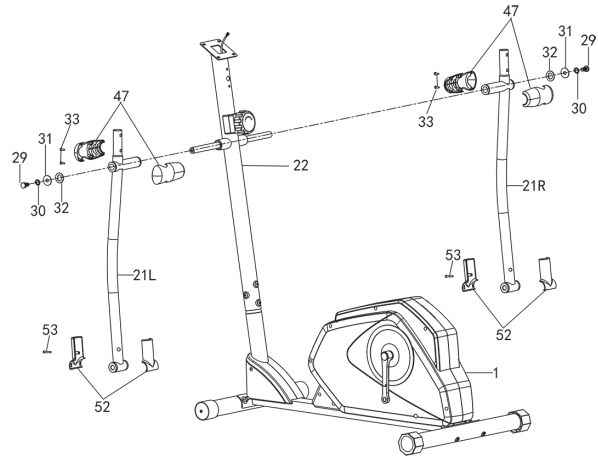
Vaihe 2

**Vaihe 3**

- Kiristä kiinnitysruuvit mukana toimitetulla kuusiokoloavaimella myötäpäivään vääntämällä.

Huom:

Aseta kaikki ruuvit/ pultit paikoilleen ennen kuin kiristät ne täysin.

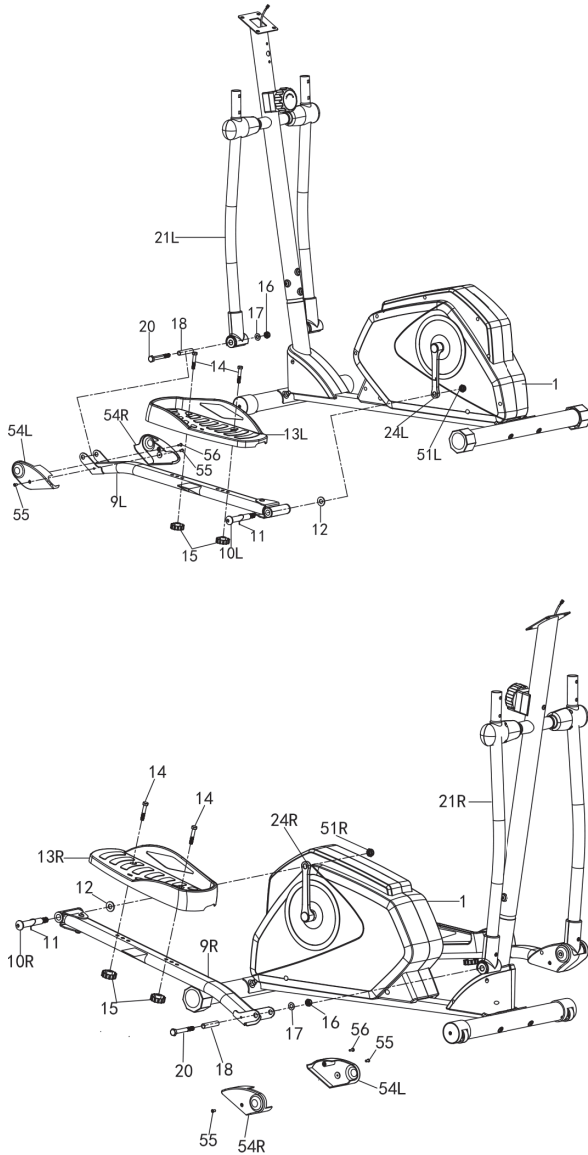
Vaihe 3

- Asenna alemmat liikkuvat käsitet kuvat mukaisesti.

Huom:

Aseta kaikki ruuvit/ pultit paikoilleen ennen kuin kiristät ne täysin.

Vaihe 4



- Asenna kumpikin kiinteä jalkalautaputki poljinkampiin kuvan mukaisesti.

Huom:

Jalkalautaputkissa on merkinnät "L" ja "R".

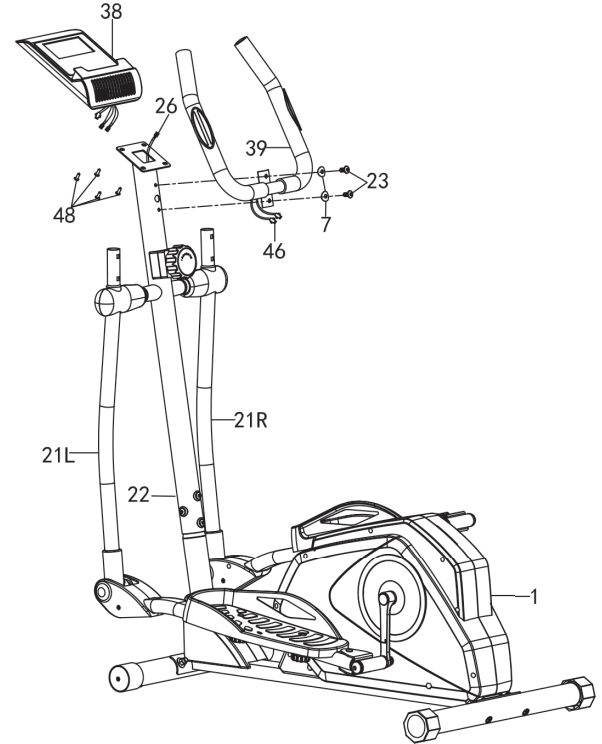
L = vasen jalkalautaputki

R = oikea jalkalautaputki

Huom:

Jalkalaudan pulteissa on vastaavat L- ja R-merkinnät osoittamaan vasenta ja oikeaa. Vasemman jalkalaudan pultissa on vasemman puoleinen kierteitys.

Vaihe 5

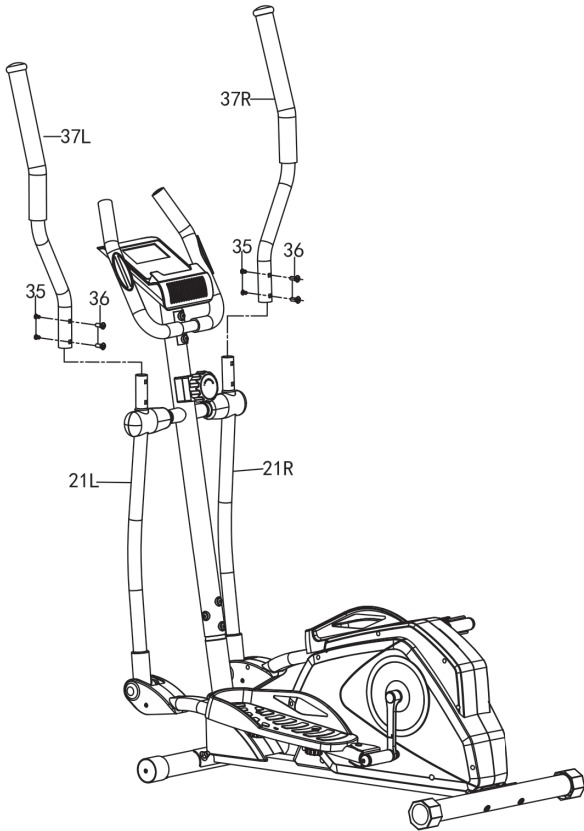


- Johda kiinteästä käsituesta tulevat käsianturijohdot mittarialustan aukon läpi.
- Asenna kiinteät käsitukiputket paikoilleen kuvan mukaisesti.
- Liitä käsianturijohdot ja datakaapeli mittariin.
- Kiinnitä mittari mittarialustaan.

Huom:

Huolehdi siitä, että johdot eivät pääse vahingoittumaan asennuksen aikana.

Aseta kaikki ruuvit/ pultit paikoilleen ennen niiden lopullista kiristämistä.

Vaihe 6

- Asenna ylemmät liikkuvat käsitet kuvat mukaisesti.

Huom:

Aseta kaikki ruuvit/ pultit paikoilleen ennen kuin kiristät ne täysin.

Käyttö**TUKIJALKOJEN SÄÄTÄMINEN**

Laite on varustettu kahdella tukijalalla. Tukijalat voidaan säätää, kun laite ei ole vakaa.

- Käännä tukijalkoja tarpeen mukaan, jotta laite on vakaasti lattialla..

VASTUKSEN SÄÄTÄMINEN

Kasvattaaksesi tai pienentääksesi vastusta, käännä putken säätönupista. Myötäpäivään kääntämällä (+) lisäät vastusta ja vastapäivään (-) kääntämällä pienennät vastusta.

Nupin yläpuolella oleva asteikko (1-8) auttaa sopivan vastuksen asettamisessa.

Harjoitukset

Harjoituksen on oltava sopivan kevyt, mutta pitkäkestoinen. Aerobinen harjoitus perustuu kehon maksimi hapenottokyvyn parantamiseen, mikä puolestaan parantaa kestävyyttä ja kuntotasoja. Harjoituksen aikana sinun tulisi hikoilla, mutta sinun ei tulisi hengästyä. Harjoittele vähintään kolme kertaa viikossa 30 minuuttia peruskuntotason saavuttamiseksi ja ylläpitämiseksi. Paranna kuntotasoasi lisäämällä harjoituskertojen määrää. On hyödyllistä yhdistää säännöllinen harjoitus terveelliseen dieettiin. Dieettiin sitoutuneen henkilön tulisi harjoitella päivittäin, ensi alkuun korkeintaan 30 minuuttia ja vähitellen lisäten päivittäinen harjoitusaika yhteen tuntiin. Aloita harjoituksesi hitaalla nopeudella ja pienellä vastuksella estääksesi liiallisen rasituksen sydän-verisuonijärjestelmään. Nopeutta ja vastusta voidaan vähitellen lisätä kuntotason parantuessa. Harjoituksesi tehokkuus voidaan mitata seuraamalla sydämesi lyöntinopeutta ja pulssisi nopeutta.

PULSSIN MITTAUS**(käsipulssianturit)**

Pulssinopeus mitataan käsitukien antureilla käyttäjän koskettaessa kumpaakin anturia samanaikaisesti.

**VAROITUS**

Sykkeenvälvoitajärjestelmät saattavat olla epätarkkoja. Liiallinen harjoittelu saattaa aiheuttaa vakavia vammoja tai kuoleman. Jos tunnet olosi heikoksi, lopeta harjoittelu heti.

Pulssi saadaan mitattua mahdollisimman tarkasti, kun iho on hieman kostea ja se koskettaa koko ajan käsipulssiantureita. Jos iho on liian kuiva tai liian kostea, pulssinopeuden mittausta voi olla epätarkempi.

MAKSIMISYKE**(harjoituksen aikana)**

Maksimisyke on suurin lyöntinopeus, jonka henkilö voi turvallisesti saavuttaa harjoituksen rasituksella. Seuraavaa kaavaa käytetään laskemaan keskimääräinen maksimisyke: 220 - IKÄ. Maksimisyke vaihtelee henkilöstä toiseen.

**VAROITUS**

Varmista, ettet ylitä maksimisykettä harjoituksen aikana. Jos kuulut riskiryhmään, ota yhteys lääkäriin.

Aloittelija: 50-60% Maksimisykkeestä.

Sopiva aloittelijoille, painonvartijoille, toipilaille, ja henkilöille, jotka eivät ole harjoitelleet pitkään aikaan. Harjoittele vähintään kolme kertaa viikossa, 30 minuuttia kerrallaan.

Edistynyt: 60-70% Maksimisykkeestä.

Sopiva henkilöille, jotka haluavat parantaa ja ylläpitää kuntoaan. Harjoittele vähintään kolme kertaa viikossa, 30 minuuttia kerrallaan.

Ekspertti: 70-80 % Maksimisykkeestä.

Sopiva kunnoltaan erittäin hyvillä henkilöille, jotka ovat tottuneet pitkäkestoisiin harjoituksiin.

Ohjauspaneeli**TOIMINTOPAINIKE****MODE**

- Painamalla painiketta MODE voit valita mittaritoiminnot: TIME, SPEED, DISTANCE, ODOMETER, CALORIES, PULSE
- Painamalla painiketta yhtäjaksoisesti 4 sekunnin ajan voit nollata toiminnot: TIME, DISTANCE, CALORIES ja PULSE.

SET

Aseta arvot toiminnoille: TIME, DISTANCE, CALORIES ja PULSE, kun et ole skannaustilassa.

- Paina painiketta SET kun haluat asettaa mittarin tavoitteensyöttötilaan.
- Painamalla painiketta MODE voit valita tavoitteen jonka arvon haluat asettaa. (valittu tavoite alkaa vilkkua, kun arvo voidaan asettaa).
- Voit korottaa tavoitteen syöttöarvoa painamalla painiketta SET, ja voit korottaa arvoa nopeasti painamalla painiketta SET yhtäjaksoisesti 3 sekunnin ajan.

Pysäytä arvon nopea korotus painamalla painiketta SET lyhyesti.

- Nollaa valittu muutettu tavoite painamalla lyhyesti painiketta RESET.
- Painamalla painiketta MODE voit valita seuraavan valinnaisen tavoitteen, jonka arvon haluat asettaa.

Ensimmäinen asetettava tavoite on
TIME + 1 min (1 - 99)

Toinen asetettava tavoite on
SPEED
ei voida muuttaa (maks. 99,9 km/h)
Kolmas asetettava tavoite on

DIST + 0,5 km (0,5 km - 99,50 km)

Neljäs asetettava tavoite on
ODO ei voida muuttaa (maks. 999,9 km)

Viides asetettava tavoite on
CAL + 1 (1 - 999)

Kuudes asetettava tavoite on
PULSE + 1 (40 - 240)

HUOM.

- Kun asetat tavoitteen, asetettu tavoitearvo lasketaan taaksepäin käyttötilassa.
- Kun tavoite on saavutettu, mittari antaa 4 kaksoisäänimerkkiä. Saavutettu arvo lasketaan nyt eteenpäin arvosta "0" alkaen.
- Voit asettaa useampia tavoitteita, ja mittari antaa äänimerkin jokaisesta saavutetusta tavoitteesta.
- Kun asetat raja-arvon sykkeelle, mittari antaa jatkuvan kolmoisäänimerkin, jos tämä raja-arvo ylitetään.

RESET

- Painamalla painiketta yhtäjaksoisesti 4 sekunnin ajan voit nollata toiminnot: TIME, DISTANCE, CALORIES ja PULSE.

HUOM:

- ODOMETER voidaan nollata vain paristot vaihtamalla.

TOIMINNOT

SCAN

Skannaa automaattisesti seuraavat toiminnot: TIME, SPEED, DISTANCE, ODOMETER, CALORIES ja PULSE.

Jokainen näyttö näytetään 4 sekunnin ajan

TIME

Laskee automaattisesti kertyneen harjoitteluajan.

SPEED

Näyttää senhetkisen harjoittelunopeuden.

DISTANCE

Laskee automaattisesti harjoittelun aikana kertyneen harjoittelumatkan.

CALORIE

Laskee automaattisesti harjoittelun aikana poltetut kalorit.

ODOMETER

Laskee automaattisesti kaikkien harjoittelukertojen aikana kertyneen harjoittelumatkan.

PULSE RATE

Näyttää senhetkisen sykkeen, jos syke mitataan.

Jos haluat mitata sykkeesi, ota kummallakin kädellä kiinni käsitukien anturilevyistä. Mittari näyttää senhetkisen sykkeesi (BPM) nestekidenäytössä 6 - 7 sekunnin kuluttua.

Huomaa: Ensimmäisten 2 - 3 sekunnin aikana mitattu syke voi olla todellista sykettä korkeampi, minkä jälkeen se palautuu normaalille tasolle. Mittaustulos ei sovellu lääketieteellisen hoidon perustaksi.

HUOM:

- Jos näyttö on hämärä tai lukuja ei näy, vaihda mittarin paristot.
- Jos mittari ei vastaanota signaalia 4 minuuttiin, näyttö siirtyy automaattisesti virransäästötilaan.
- Näyttö palaa itsestään käyttötilaan, kun alat harjoitella tai painat painiketta.
- Kun aloitat harjoittelun, näyttö alkaa automaattisesti laskea arvoja, ja se lopettaa arvojen laskemisen, kun harjoittelu keskeytetään yli 4 sekunnin ajaksi.

TEKNISET TIEDOT

Toiminto

- Autom. skannaus 4 minuutin välein
- Aika 0:00 - 99:59
- Senhetkinen nopeus Suurin näytetty nopeus on 99,9 km/h
- Harjoittelumatka 0,00 - 99,99 km
- Kalorit 0,0 - 999,9 kcal
- Matkamittari 0,1 - 999,9 km
- Syke 40 - 240 BPM

Paristot 2 kpl AA-tyyppi
 Käyttölämpötila 0 °C - +40 °C
 Säilytyslämpötila -10 °C - +60 °C

Ohjeita harjoittelua varten

Kuntolaitteen käyttö tarjoaa monia etuja: se parantaa fyysistä kuntoa, kiinteyttää lihaksia ja hallittuun ruokavalioon yhdistettynä se auttaa myös pudottamaan painoa.

LÄMMITTELYVAIHE

Tämän vaiheen tarkoituksena on saada veri virtaamaan nopeammin ympäri kehoa ja panna lihakset tekemään työtä. Lämmittely vähentää myös krampien ja lihasvammojen riskiä.

Suosittelemme, että teet muutaman venyttelyharjoituksen alla olevan kuvan mukaisesti. Jokaisen venytyksen tulisi kestää noin 30 sekuntia. Älä tee venytyksiä väkisin tai nykäisten - jos tunnet kipua, LOPETA.



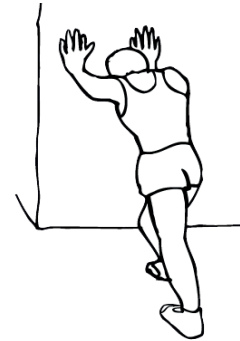
SIDE BENDS



FORWARD BENDS



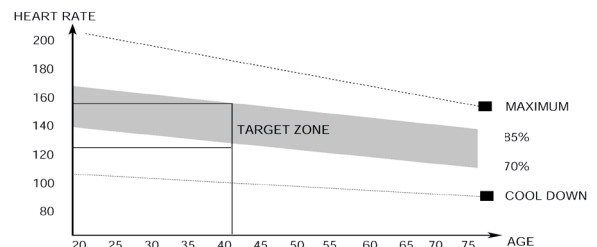
OUTER THIGH



CALF / ACHILLES

HARJOITTELUVAIHE

Tämä on se vaihe, jossa ponnistelet. Säännöllisen harjoittelun tuloksena jalkojesi lihakset tulevat joustavammiksi. Tässä vaiheessa on hyvin tärkeää ylläpitää tasaista nopeutta koko ajan. Rasituksen tulisi olla riittävän suuri, jotta sykkeesi nousee tavoitealueelle alla olevan kaavion mukaisesti.



Tämän vaiheen tulisi kestää vähintään 12 minuuttia, mutta useimmilla aloittelijoilla se on noin 15-20 minuuttia.

JÄÄHDYTTELYVAIHE

Tämän vaiheen tarkoituksena on antaa verenkiertojärjestelmäsi ja lihaksiesi palautua. Jäähdyttelyssä toistetaan lämmittelyvaiheen harjoitukset vähentämällä ensin nopeutta ja jatkamalla tällä nopeudella noin 5 minuuttia. Toista sitten venyttelyharjoitukset pitäen mielessä, että venytyksiä ei saa tehdä väkisin tai nykäisten.

Kun kuntosi nousee, voit tarvita pidempiä ja raskaampia harjoituksia. On suositeltavaa treenata vähintään kolme kertaa viikossa, ja harjoittelut olisi hyvä jakaa tasaisesti viikon varrelle.

LIHASTEN KIINTEYTYYS

Jos tavoitteesi on lihasten kiinteytyys, sinun pitää asettaa vastus suureksi. Silloin jalkojesi lihakset rasittuvat enemmän, etkä ehkä pysty treenaamaan niin pitkään kuin haluaisit. Jos tavoitteesi on myös kunnan kohentaminen, sinun pitää muuttaa harjoitteluohjelmaasi. Harjoittele lämmittely- ja jäähdyttelyvaiheissa normaalisti, mutta lisää vastusta harjoitteluvaiheessa, jotta jalkasi joutuvat tekemään enemmän työtä. Vähennä tarvittaessa nopeutta, jotta sykkeesi pysyy tavoitealueella.

PAINON PUDOTUS

Ratkaisevaa on se, miten rasittavaa harjoittelu on. Mitä enemmän ja mitä pidempään harjoittelet, sitä enemmän poltat kaloreita. Vaikutus on sama kuin jos harjoittelisit kunnan kohentamiseksi, vaikka tavoite on nyt toinen.

Lisätietoa laitteen omistajalle

PAKKAUKSEN HÄVITTÄMINEN

Lainsäädäntö ohjeistaa meitä vähentämään kaatopaikoille toimitetun jätteen määrää. Sen vuoksi pyydämme sinua toimittamaan kaikki pakkausjätteet sitä varten tarkoitettuun kierrätyspisteeseen.



LAITTEEN HÄVITTÄMINEN KÄYTTÖIÄN PÄÄTTYESSÄ

Me Tunturilla toivomme, että iloitset kuntolaitteestasi vuosia. Jokainen kuntolaite tulee kuitenkin aikanaan oman käyttöikänsä loppuun. Kotitalouksien sähkö- ja elektroniikkalaiteromua käsittelevien eurooppalaisten määräysten (WEEE) mukaan sinun kuuluu toimittaa kuntolaitteesi sitä varten tarkoitettuun keräyspaikkaan.



HOITO JA HUOLTO

- Tarkasta ja kiristä kaikki osat ennen kuntolaitteen käyttöä.
- Voit puhdistaa kuntolaitteen kevyesti kostutetulla liinalla ja miedolla, hankaamattomalla puhdistusaineella. ÄLÄ KÄYTÄ liuottimia.
- Tarkasta säännöllisesti, että kuntolaite ei ole vahingoittunut tai kulunut.
- Tarkastuksen laiminlyönti voi vaikuttaa laitteen turvallisuuteen.
- Vaihda vialliset osat välittömästi ja/tai poista kuntolaite käytöstä siihen asti kun se on korjattu.

Puhdistus ja huolto

Viat ja häiriöt
Huolimatta jatkuvasta laadunvarmistuksesta laitteessa voi tapahtua yksittäisen osan aiheuttamia vikoja ja häiriöitä. Useimmissa tapauksissa viallisen osan vaihtaminen on riittävää.

- Jos laite ei toimi normaalisti, ota välittömästi yhteys jälleenmyyjään.
- Anna jälleenmyyjälle laitteen malli- ja sarjanumero. Kerro ongelman luonne, käyttöolosuhteet ja ostopäivä.

Kuljetus ja säilytys



VAROITUS

Vähintään kahden henkilön on kannettava ja siirrettävä laitetta.

- Seisokaa laitteen edessä sen kummallakin puolella ja tarttukaa tiukasti kiinni käsitangoista. Nostakaa laitetta siten, että laitteen takapää on pyörillä. Siirtäkää laite ja laskekaa se varovasti alas. Asettakaa laite suoja-alustalle lattiapinnan vaurioiden estämiseksi.
- Siirrä laitetta varovasti epätasaisilla pinnoilla. Älä siirrä laitetta yläkertaan pyöriä käyttäen. Suorita siirto kahvatuista kantaen.
- Säilytä laitetta kuivassa, mahdollisimman tasalämpötilaisessä paikassa.

Takuu

Tuotteella on takuu toimituspäivästä alkaen (todistettu laskulla tai toimitusilmoituksella). Lisätietoja takuuehdoista on saatavissa paikalliselta jälleenmyyjältäsi. Takuuehdot voivat vaihdella maasta toiseen. Takuu ei kata normaalia kulumista, ylikuormitusta, tai väärää käsittelyä. Takuu kattaa materiaali- ja valmistusvikojen aiheuttamat vauriot ja ne korjataan tai osat vaihdetaan veloitusetta.

Vastuuvapauslauseke

© 2016 Tunturi New Fitness BV
Kaikki oikeudet pidätetään.

Tuote ja käyttöopas saattavat muuttua. Teknisiä tietoja saatetaan muuttaa ilman eri ilmoitusta.

Specifications

Product

Operating system. Manual Adjustment + PMS
 Flywheel weight 5 kg
 Rotating mass 12 kg
 Power supply 2 x AA type batteries
 Max userweight 110 kg / 242 lbs.

Monitor

Display size..... LCD (75x42)
 Display type monochrome
 Resistance level..... 8
 Programs total -
 Quick start/ manual..... -

Functions

Auto Scan Every 4 seconds
 Running time..... 00:00 ~ 99:59
 Current speed 1,9 ~ 99,9 KM/ H
 Trip distance 0,00 ~ 99,99 KM
 Calories..... 0 ~ 999,9 Kcal.
 ODO..... 0.1 ~ 999,9 KM
 Pulse rate..... 40 ~ 240 BPM

Ergonomics

Handlebar Fixed / Dual action
 Contact heart rate Yes
 Telemetric hr receiver -
 Bottle holder -
 Transport wheels Yes

Quality

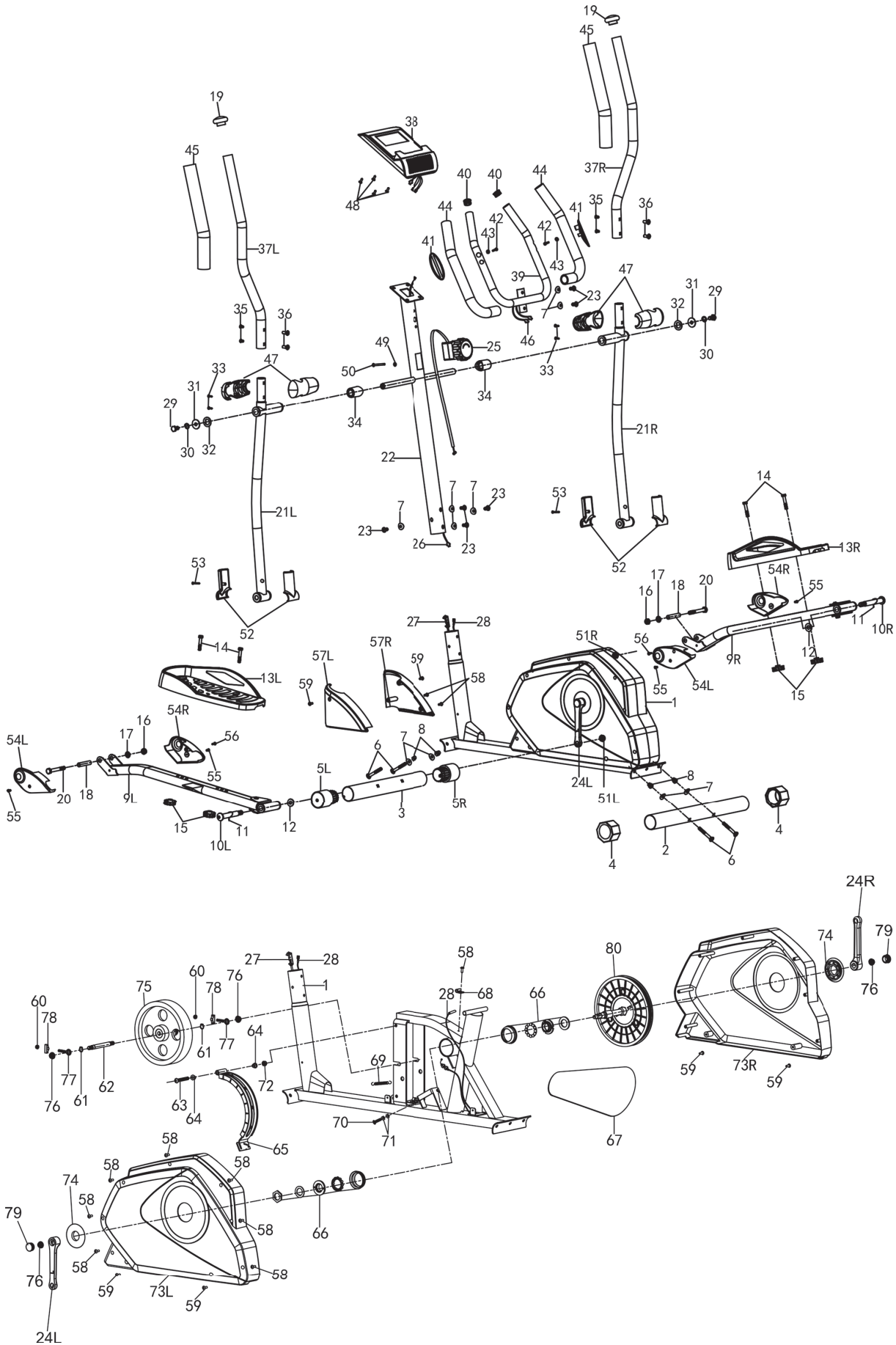
Operating environment Home
 En-957 class HC

PARTS LIST

Part NO.	Description	QTY
1	Main frame	1
2	Rear stabilizer	1
3	Front stabilizer	1
4	Rear stabilizer end cap	2
5L/R	Front stabilizer end cap (L/R)	1/1
6	Carriage bolt (M8*60)	4
7	Curved washer (Φ8*Φ20*1.5)	10
8	Acorn nut (M8)	4
9L/R	Pedal tube (L/R)	1/1
10L/R	Hinge bolt (L/R)	1/1
11	Wave washer	2
12	Flat washer	2
13L/R	Pedal (L/R)	1/1
14	Hex head bolt (M8*45)	4
15	Lock knob	4
16	Nylon nut (M10)	2
17	Flat washer (Φ22*Φ10*1.5)	2
18	Sleeve	2
19	End cap for top handlebar	2
20	Hex head bolt (M10*78)	2
21L/R	Bottom handlebar (L/R)	1/1
22	Front post	1
23	Allen screw (M8*16)	6
24L/R	Crank (L/R)	1/1
25	Tension control knob w/cable	1
26	Extension sensor wire	1
27	Tension cable	1
28	Sensor wire	1
29	Hex head screw (M10*20)	2
30	Spring washer (Φ10)	2
31	Flat washer (Φ32*Φ10*1.5)	2
32	D-type washer	2
33	Self tapping wcrew (ST4*15)	4
34	Plastic spacer	2
35	Allen bolt (M6*12)	4
36	Carriage bolt (M6*20)	4
37L/R	Top handlebar (L/R)	1/1
38	Computer	1
39	Stationary handlebar	1
40	Stationary handlebar end cap (Φ25.4)	2

41	Hand pulse sensor	2
42	Self tapping screw	2
43	Flat washer (Φ6*Φ12*1)	2
44	Foam grip for stationary handlebar	2
45	Foam grip for dual action handlebar	2
46	Hand pulse wire	2
47	Top handlebar cover	2 sets
48	Philips screw (M5*12)	4
49	Flat washer	1
50	Screw for tension knob	1
51L/R	Lock nut for hinge bolt (L/R)	1/1
52	Bottom handlebar cover	2 sets
53	Self tapping screw (ST4*30)	2
54	Pedal tube cover	2 sets
55	Philips screw (M5*10)	4
56	Self tapping screw (ST4*15)	2
57L/R	Front post cover (L/R)	1/1
58	Self tapping screw (ST5*15)	10
59	Self tapping screw (ST5*15)	6
60	Nylon nut (M6)	2
61	C-Clip	2
62	Flywheel axle	1
63	Hex head screw (M8*105)	1
64	Magnet assembly bushing	2
65	Magnet assembly	1
66	BB assembly	1
67	Belt	1
68	Sensor bracket	1
69	Spring	1
70	Hex head screw (M6*25)	1
71	Hex head bolt (M6)	2
72	Nylon nut (M8)	1
73L/R	Chain cover (L/R)	1/1
74	Crank cover	2
75	Flywheel	1
76	Flange nut	4
77	Eye bolt	2
78	Clip for flywheel adjustor	2
79	Crank end cover	2
80	Belt pulley with axle	1

EXPLODED VIEW



TUNTURI®

WWW.TUNTURI.COM

**Tunturi New Fitness B.V.
P.O. Box 60001
1320 AA
The Netherlands**

www.tunturi.com

20160811