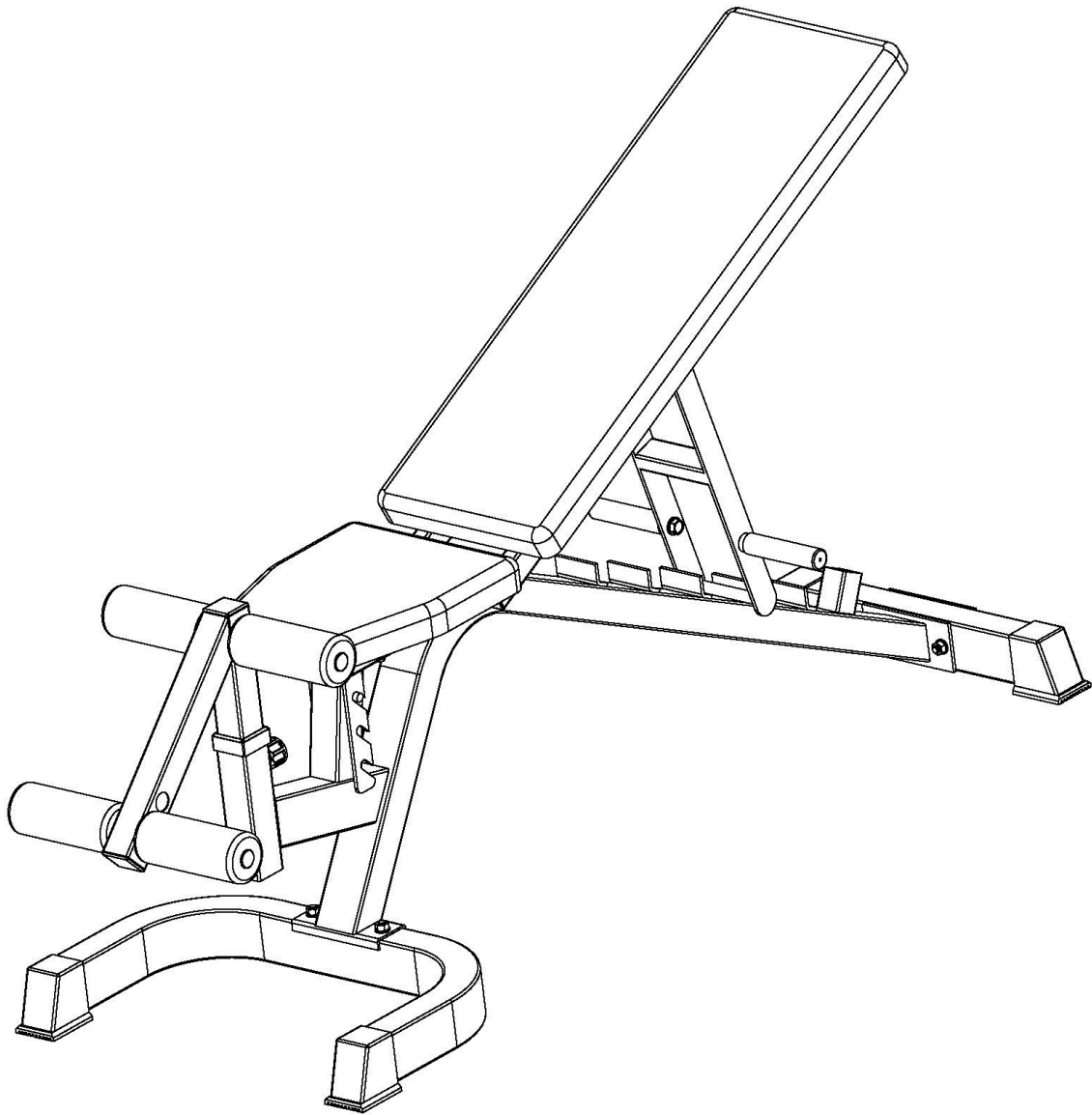
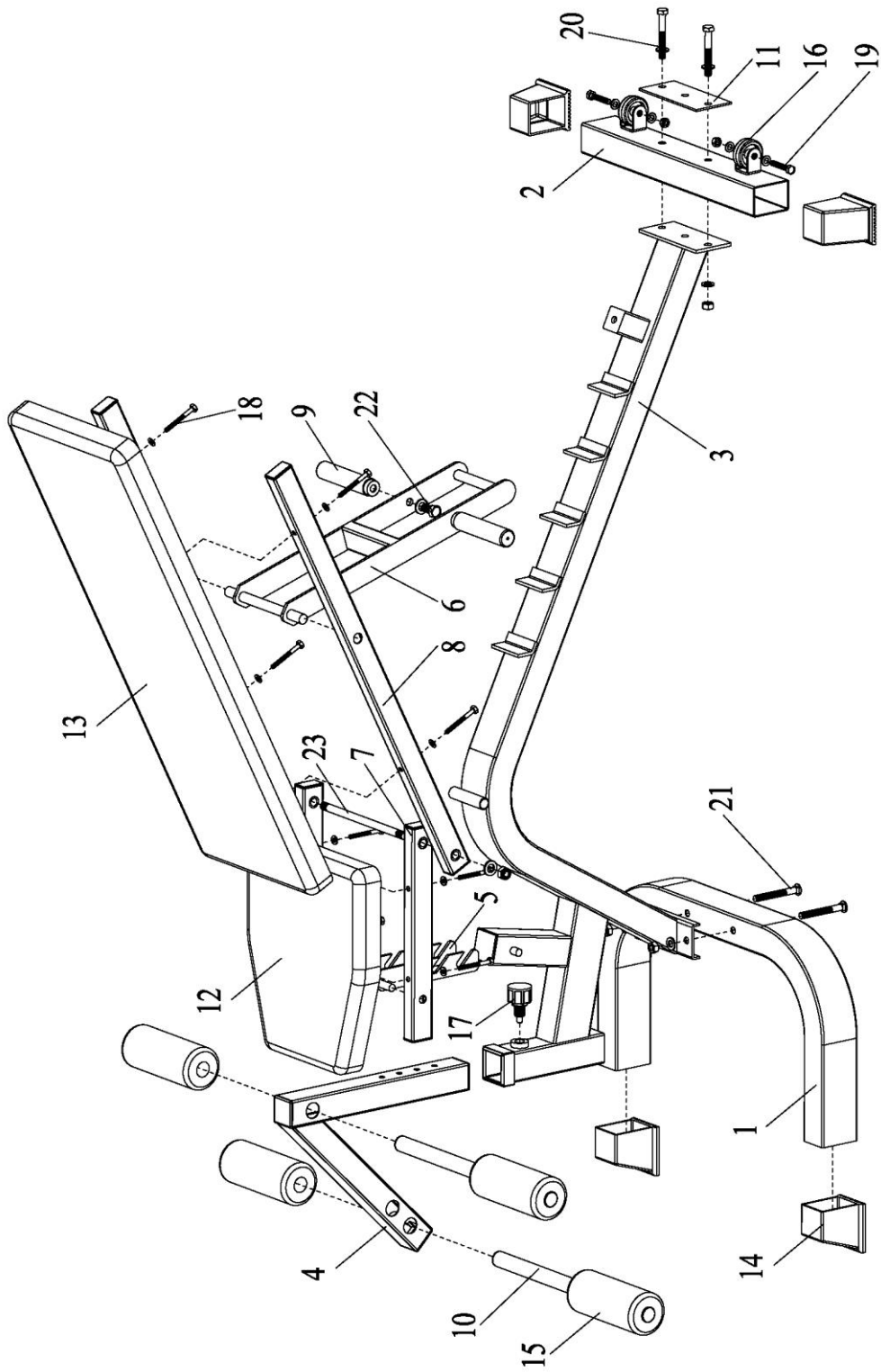

SUB1124E



ASSEMBLY INSTRUCTIONS

PRODUCT EXPLOSIVE DRAWING



PARTS LIST

NUMBER	DESCRIPTION	QUANTITY
1	FRONT BASE	1
2	BACK BASE	1
3	MAIN FRAME	1
4	LEG HOLD DOWN	1
5	SEAT PAD ADJUSTABLE BRACKET	1
6	BACK PAD ADJUSTABLE BRACKET	1
7	SEAT REST BEAM	2
8	BACK REST BEAM	2
9	HAND GRIP	2
10	FOAM TUBE	2
11	JOINT PLATE	1
12	SEAT PAD	1
13	BACK PAD	1
14	PLASTIC END CAP	4
15	FOAM ROLLER	4
16	WHEEL	2
17	FAST PIN	1
18	BOLT M6*60 + WASHER	8
19	BOLT M8*45 + TWO WASHERS + NUT	2
20	BOLT M10*75 + TWO WASHERS + NUT	2
21	BOLT M10*85 + WASHER + NUT	2
22	BOLT M12*20 + WASHER	2
23	BOLT M12*212 + TWO WASHERS + TWO LOCK NUTS	1

ASSEMBLY INSTRUCTIONS

1. Insert four plastic end caps (14) onto the tube ends of the **front base (1)** and the **back base (2)**. Next, attach two wheels (16) to the brackets of the **back base (2)** with two bolts M8*45 + four washers + two nuts (2).
2. Attach the **front base (1)** to the **main frame (3)** with two bolts M10*85 + two washers + two nuts (21).
3. Attach the **back base (2)** to the **main frame (3)** with two bolts M10*75 + four washers + two nuts (20).
4. Attach the **seat rest beam (7)** to the **seat pad adjustable bracket (5)**, and then attach the seat pad (12) to the **seat rest beam (7)**.
5. Attach the **back rest beam (8)** to the **back pad adjustable bracket (6)** with four bolts M6*60 + four washers (18), and then attach the **seat rest beam (7)** and the **back rest beam (8)** to the **main frame (3)** with the bolt M12*212 + two washers + two lock nuts (23) as shown.
6. Attach the back pad (13) to the **back pad adjustable bracket (6)** with four bolts M6*60 + four washers (18).
7. Insert the **leg hold down (4)** into the receptacle of the **main frame (3)** with fast pin (17).
8. Insert the **foam tube (10)** into the hole on the **leg hold down (4)**. Then attach two foam rollers (15) to the **foam tube (10)**.